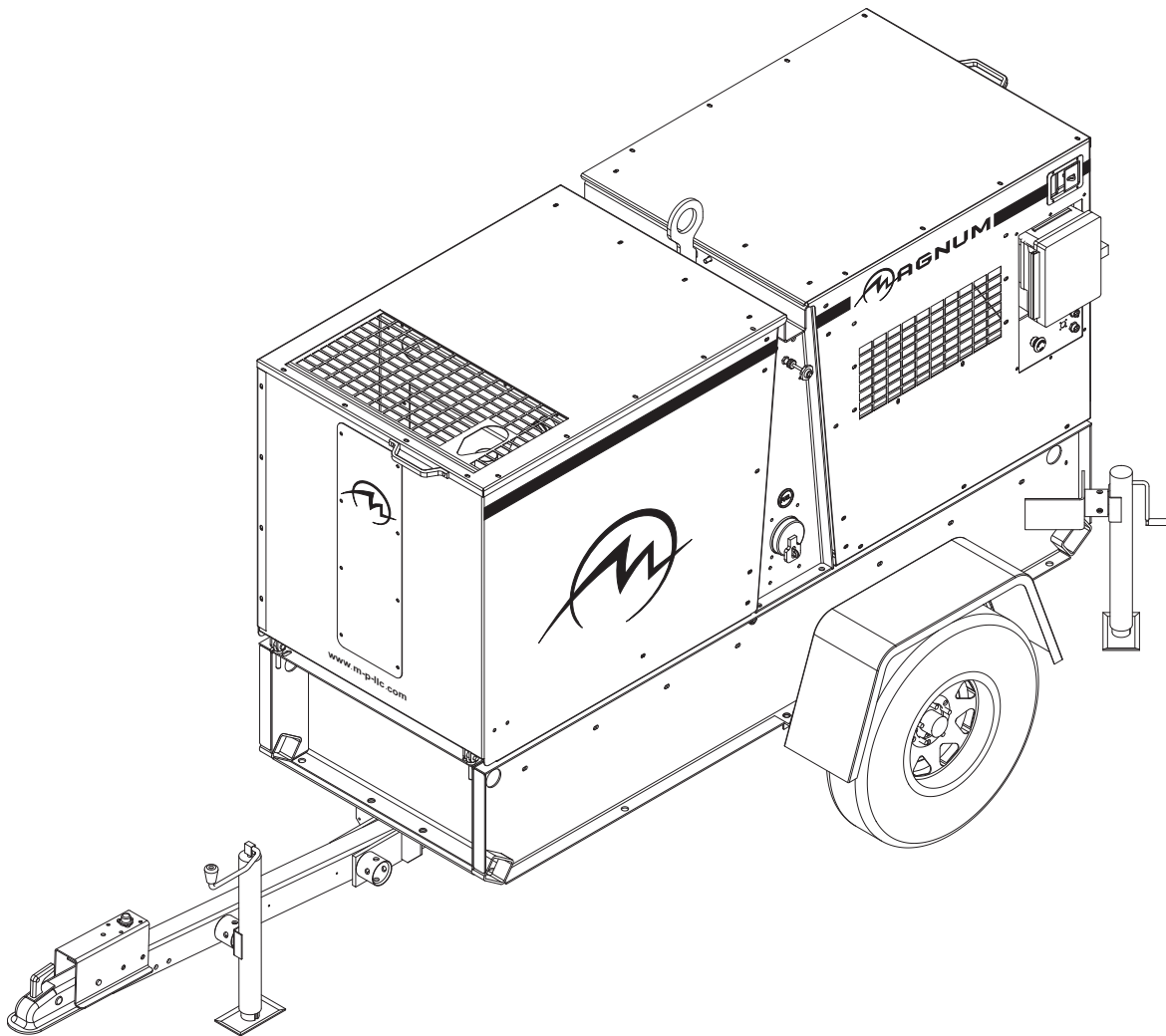




DRY-PRIME DIESEL TRASH PUMP  
MTP6500FHKI4P



PARTS MANUAL

## INTRODUCTION

Before servicing this machine, make sure the engine start switch is turned to off "O", the emergency stop switch is closed (pushed in), and the negative (-) battery terminal is disconnected. Attach a "DO NOT START" sign to the control panel. This will notify everyone that the unit is being serviced and will reduce the chance of someone inadvertently trying to start the unit.

### **▲ WARNING**

**Before operating or servicing this equipment, read and understand the Magnum Operating Manual which was included with the unit when shipped from the factory. Failure to do so increases the risk of injury to yourself or others.**

## **MAGNUM POWER PRODUCTS LLC**

**215 Power Drive • Berlin, WI 54923**

**U.S.A.**

**Phone: 920-361-4442**

**FAX: 920-361-4416**

**Toll Free: 1-800-926-9768**

**[www.m-p-llc.com](http://www.m-p-llc.com)**

**For technical or parts QUESTIONS, please contact the Magnum Power Products LLC Customer Support or Technical Support team at 1-800-926-9768. Please have your serial number available.**

**To ORDER SERVICE PARTS, please contact the dealer from which you purchased the unit, or call Magnum Power Products LLC to locate a dealer in your area.**

Engine Make: \_\_\_\_\_

Engine Serial Number: \_\_\_\_\_

Engine Model Number: \_\_\_\_\_

Pump Make: \_\_\_\_\_

Pump Model Number: \_\_\_\_\_

Pump Serial Number: \_\_\_\_\_

Unit Model Number: \_\_\_\_\_

Unit Serial Number: \_\_\_\_\_

### **▲ WARNING**

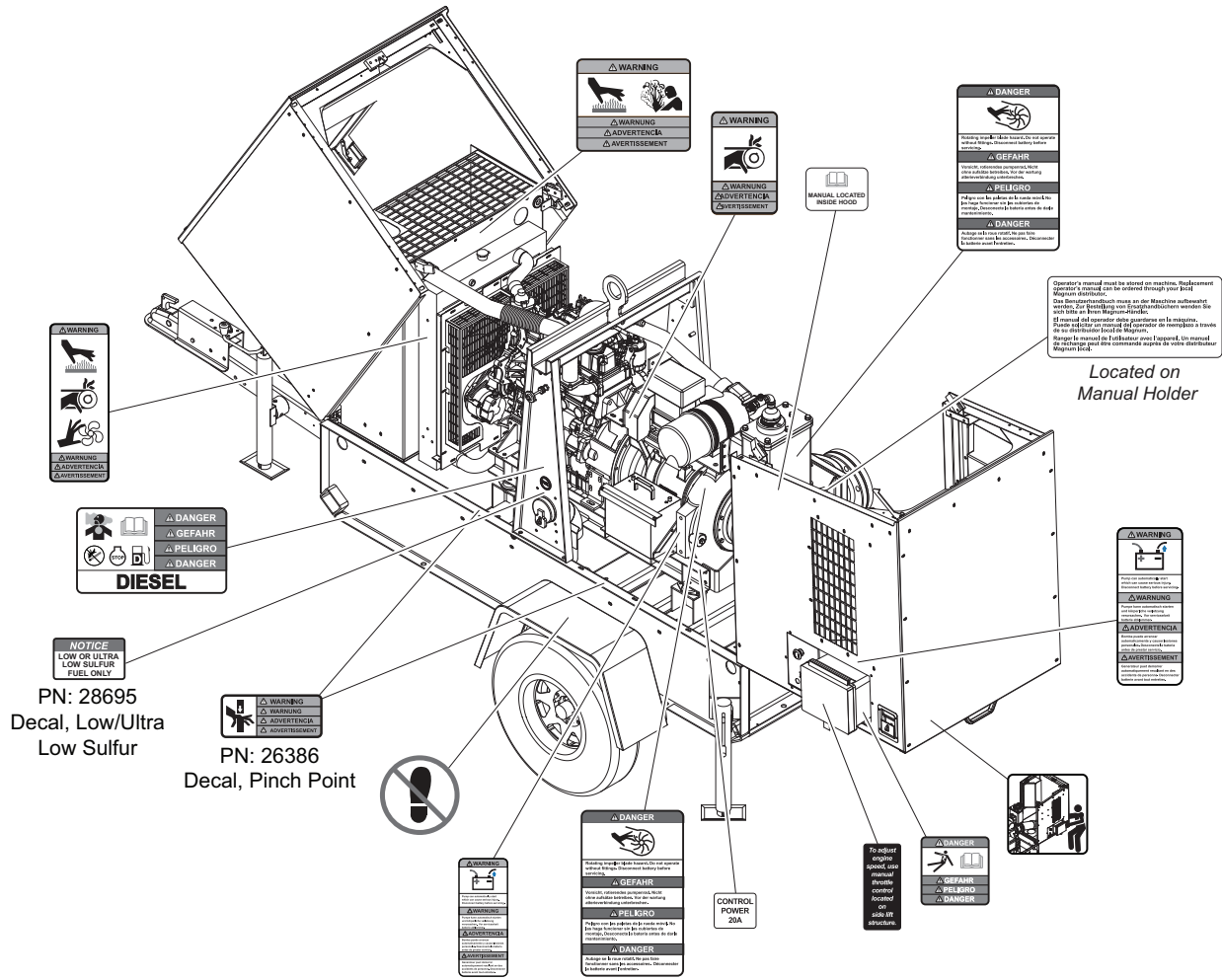
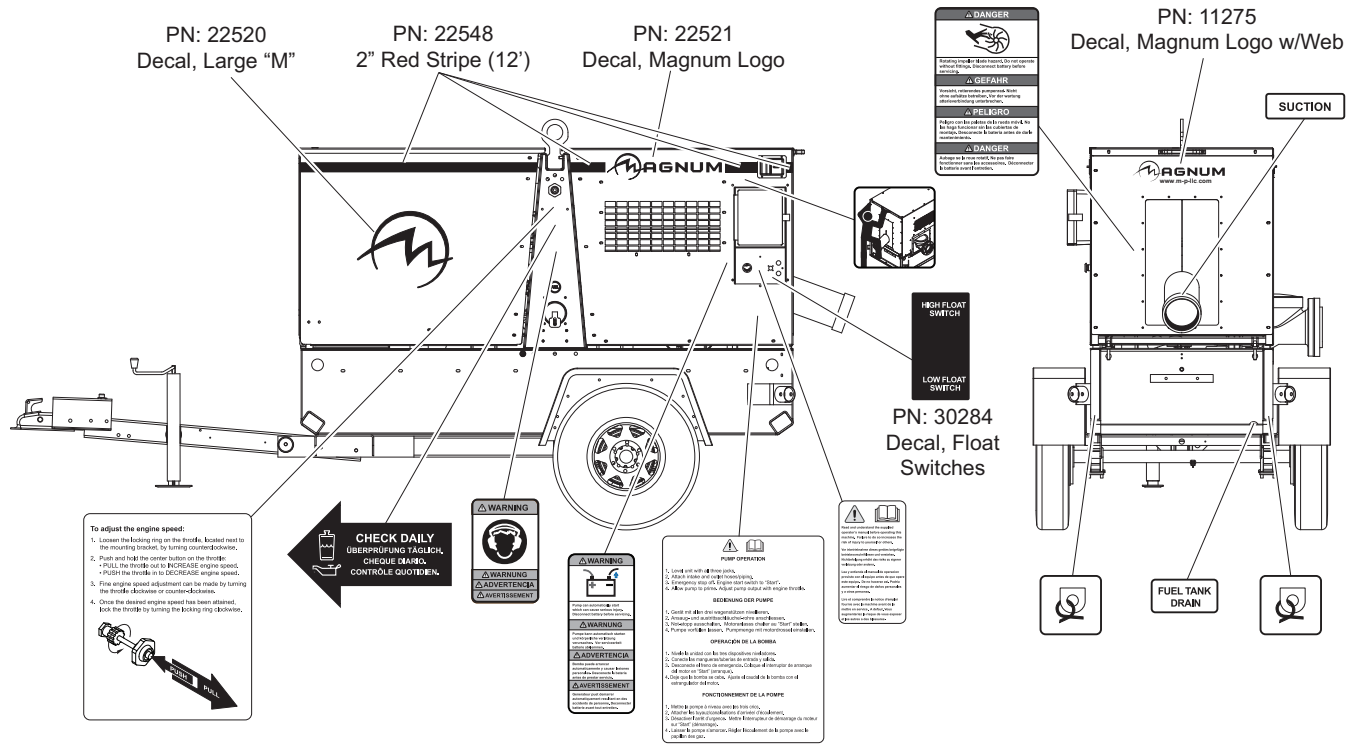
#### **CALIFORNIA PROPOSITION 65 WARNING:**

**Diesel engine exhaust and some of its constituents are known to the state of California to cause cancer, birth defects and other reproductive harm.**

# TABLE OF CONTENTS

	Page
INTRODUCTION .....	2
UNIT DECALS - LEFT AND REAR SIDES .....	4
UNIT DECALS - RIGHT AND FRONT SIDES.....	5
HOODS TO SKID ASSEMBLY .....	6
FRONT HOOD ASSEMBLY (1 OF 2).....	8
FRONT HOOD ASSEMBLY (2 OF 2).....	10
REAR HOOD ASSEMBLY (1 OF 2).....	12
REAR HOOD ASSEMBLY (2 OF 2).....	14
SIDE OUTLET PANEL ASSEMBLY .....	16
CONTROL BOX ASSEMBLY .....	18
LIFT STRUCTURE ASSEMBLY.....	20
AIR FILTER ASSEMBLY .....	22
EXHAUST SYSTEM ASSEMBLY .....	24
COOLING SYSTEM ASSEMBLY .....	26
ENGINE AND PUMP TO SKID ASSEMBLY .....	28
ENGINE ASSEMBLY - LEFT SIDE .....	30
ENGINE ASSEMBLY - RIGHT SIDE.....	32
HOTSTART KIT OPTION.....	34
EXTERNAL PUMP ASSEMBLY .....	36
PUMP AIR COMPRESSOR ASSEMBLY .....	38
AIR EDUCTOR KIT .....	40
INLET & OUTLET FITTINGS .....	42
BEARING FRAME ASSEMBLY .....	44
PRIMING CHAMBER ASSEMBLY .....	46
INTERNAL PUMP ASSEMBLY .....	48
SKID ASSEMBLY .....	50
FUEL TANK ASSEMBLY .....	52
TRAILER ASSEMBLY .....	54
AXLE ASSEMBLY .....	56
TRAILER BRAKE LINES - SINGLE AXLE, FLIP TONGUE .....	58
RECOMMENDED SPARE PARTS LIST .....	60
NOTES .....	61

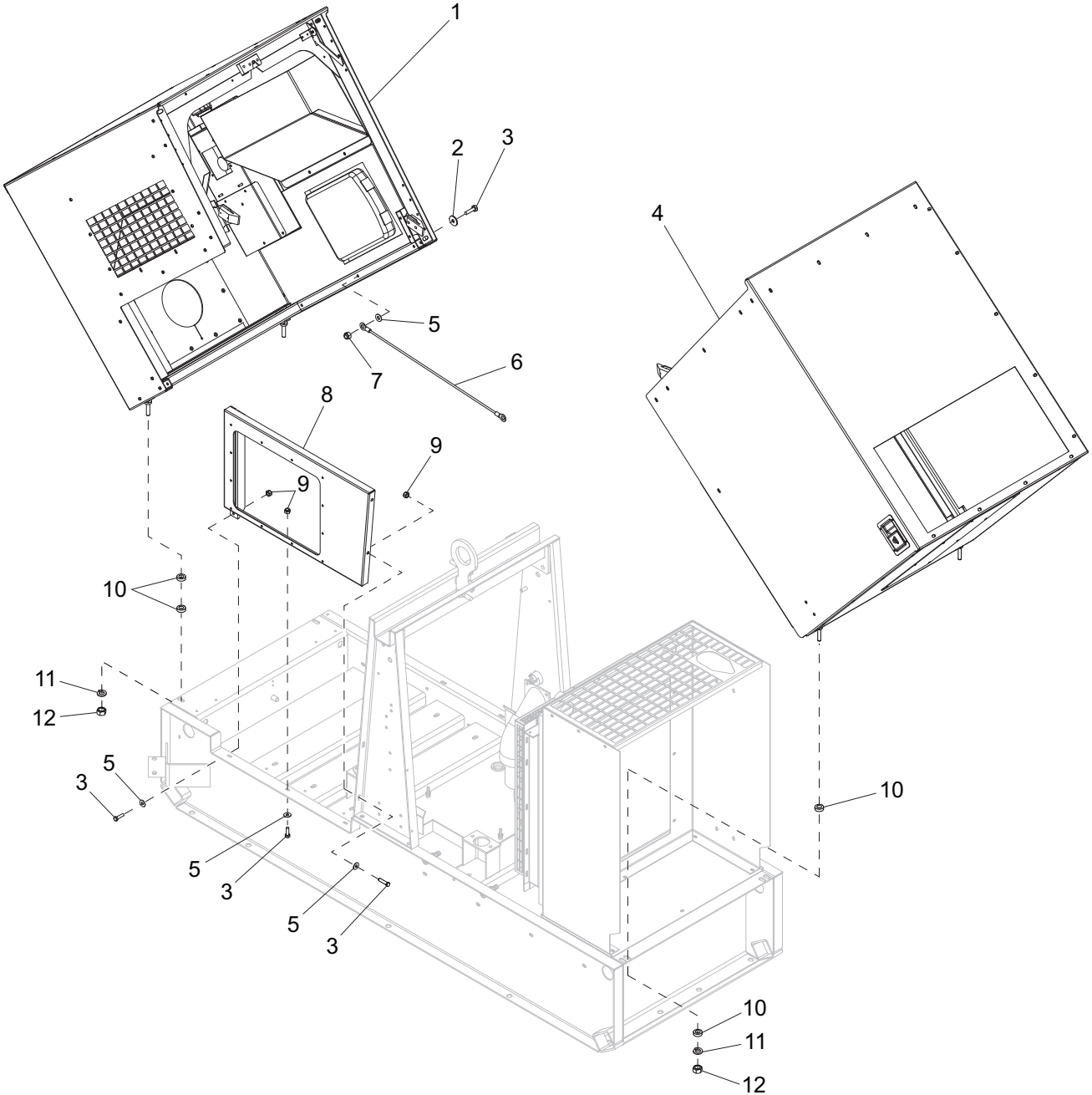
# UNIT DECALS - LEFT AND REAR SIDES



**Note:** All safety and operating decals shown above are located on decal sheet 32839, unless otherwise noted.

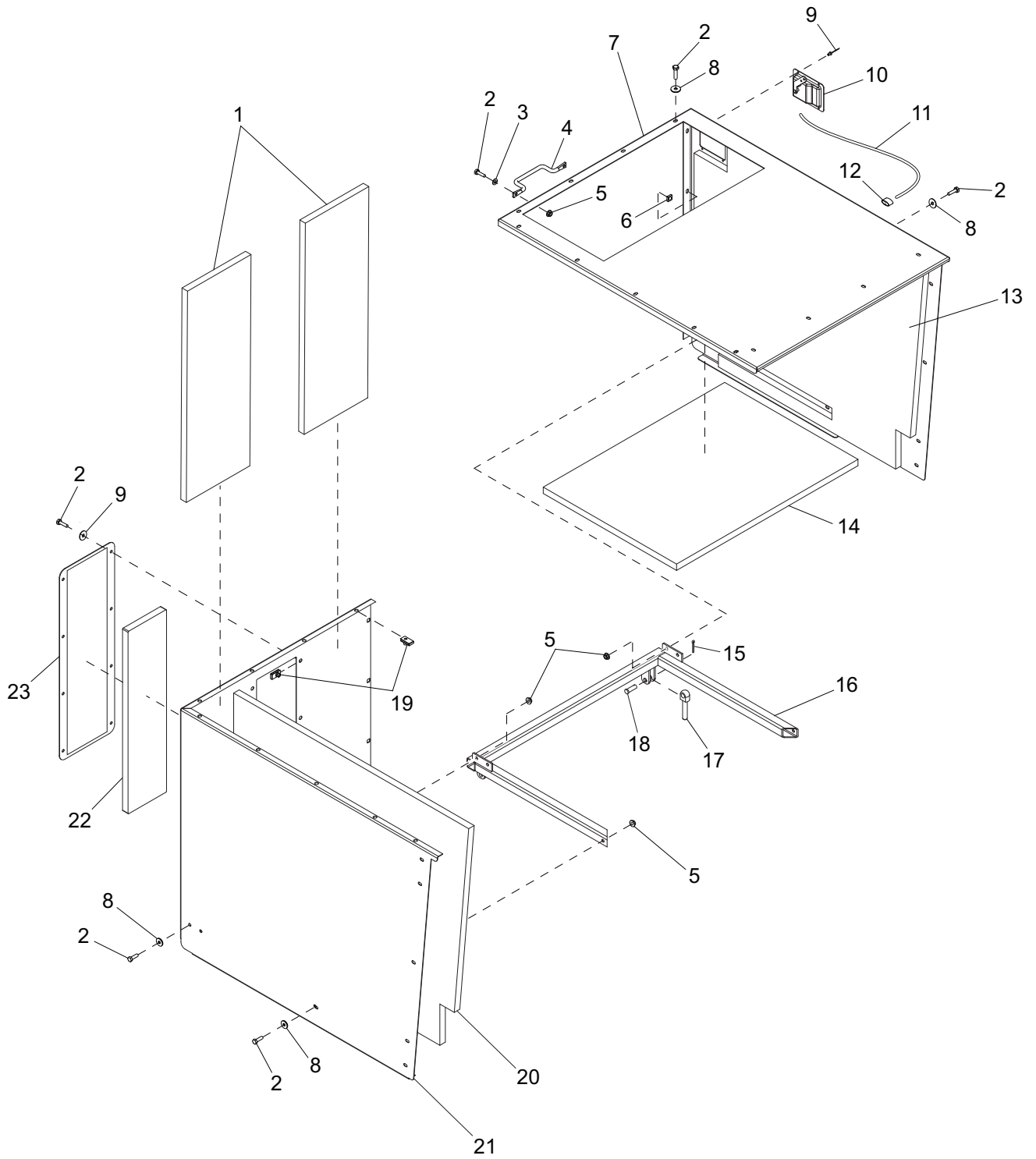


**HOODS TO SKID ASSEMBLY**



ITEM	PART NO.	QTY	DESCRIPTION	NOTES
1	<i>Pages 12-15</i>	1	Assembly, rear hood	
2	60452	1	Washer, .313 flat 1.125/1.0, SS	Bonded rubber
3	60507	8	Screw, .312-18x1.0 std hex, SS	
4	<i>Pages 8-11</i>	1	Assembly, front hood	
5	60340	7	Washer, .312 flat .875/.040, SS	
6	49898	1	Tether, cable steel .188x30.0 w/eyelets	
7	60285	1	Nut, .312-18 hex, G2	
8	<i>Page 16</i>	1	Assembly, side outlet panel	
9	60303	7	Nut, .312-18 nylock, G2	
10	24748B	8	Spacer, rod end	
11	60702	4	Washer, .500 split lock, SS	
12	60681	4	Nut, .500-13 hex, SS	

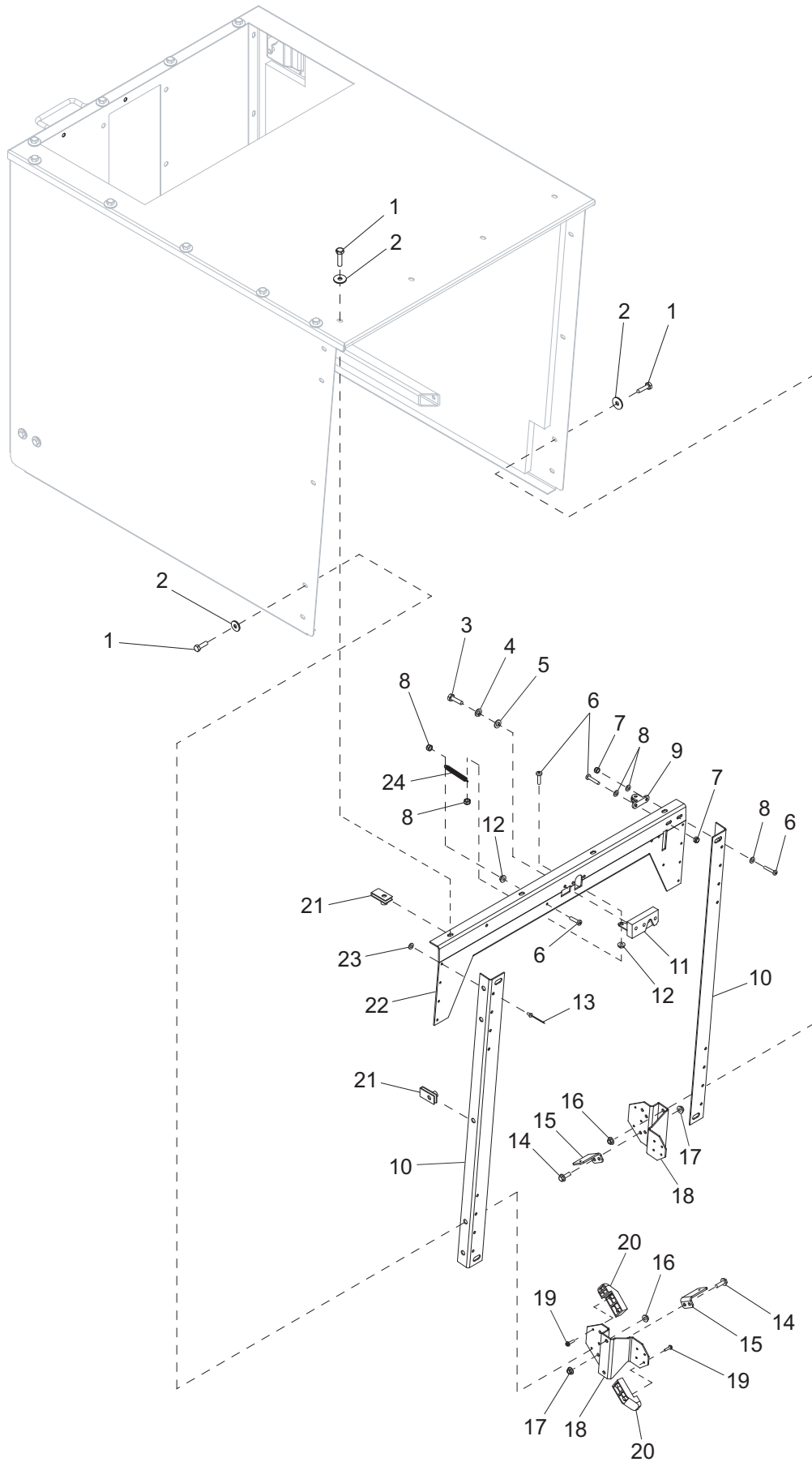
# FRONT HOOD ASSEMBLY (1 OF 2)





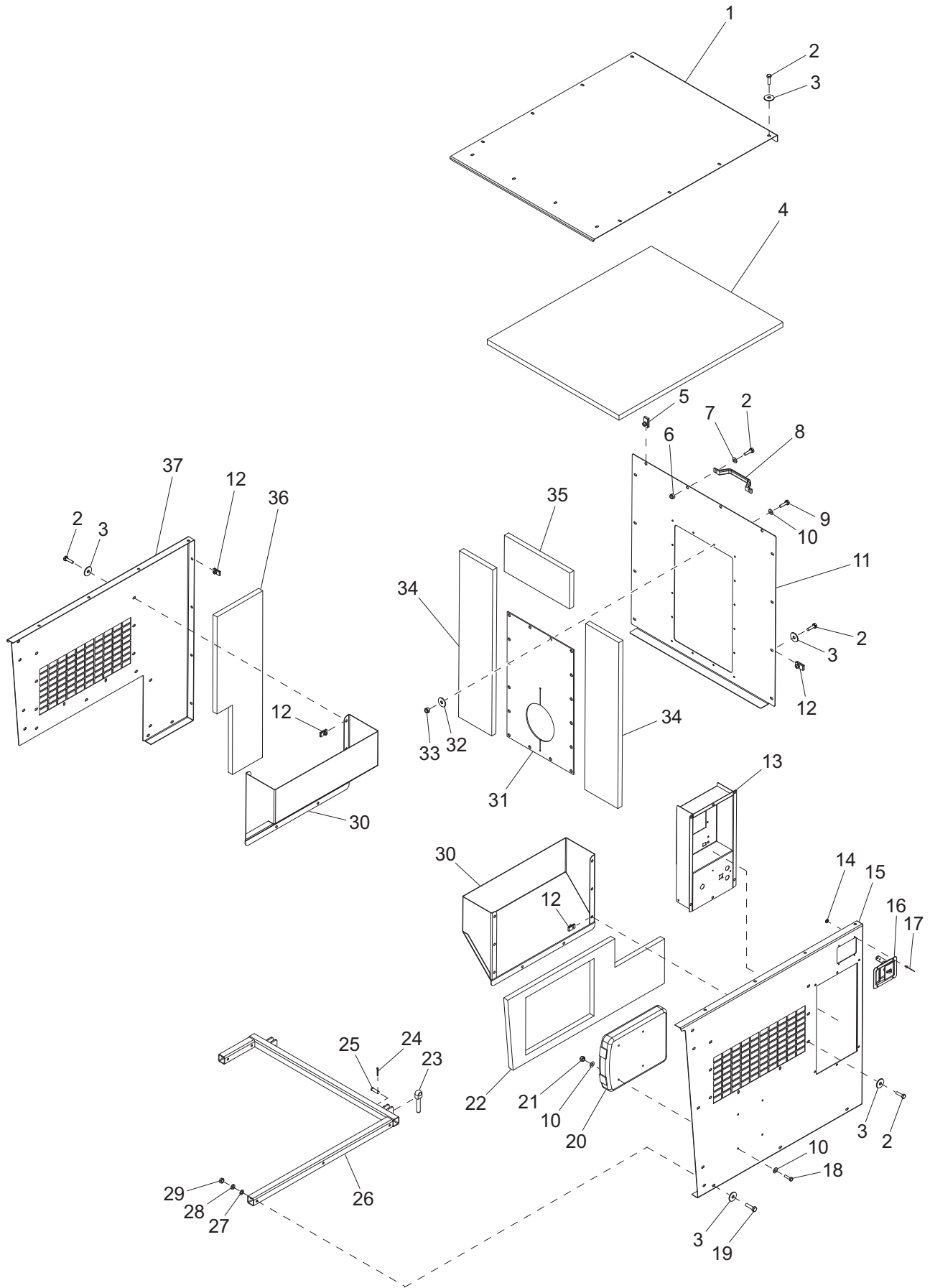
ITEM	PART NO.	QTY	DESCRIPTION	NOTES
1	30163	2	Foam, front panel	
2	60507	27	Screw, .312-18x1.0 std hex, SS	
3	60340	2	Washer, .312 flat .875/.040, SS	
4	26288	1	Handle, front hood access	
5	60095	6	Nut, .312-18 sflg	
6	15425	4	Nut, .312-18 cage	
7	24206W	1	Panel, front upper hood	
8	60452	25	Washer, .313 flat 1.125/1.0, SS	Bonded rubber
9	60268	4	Rivet, .188 dia x .126 to .250 grip, SS	
10	24676	1	Latch, paddle w/padlock handle	
11	24677	1	Cable, remote latch - 56 in	
12	24678	2	Crimp, cable - for remote latch	
13	26200	1	Foam, front right panel	
14	26203	1	Foam, front top panel	
15	15380	2	Pin, cotter - .125x1.250	
16	26280B	1	Weldment, front hood hinge	
17	60989	2	Bolt, .500-13x3.125 rod end	
18	60745	2	Pin, clevis - .500 dia. x 1.50	
19	60505	17	Nut, .312-18 U-clip - long type	
20	26201	1	Foam, front left panel	
21	24207W	1	Panel, front side hood	
22	24962	1	Foam, front cutout	
23	24828W	1	Panel, actuator clearance hole	

# FRONT HOOD ASSEMBLY (2 OF 2)



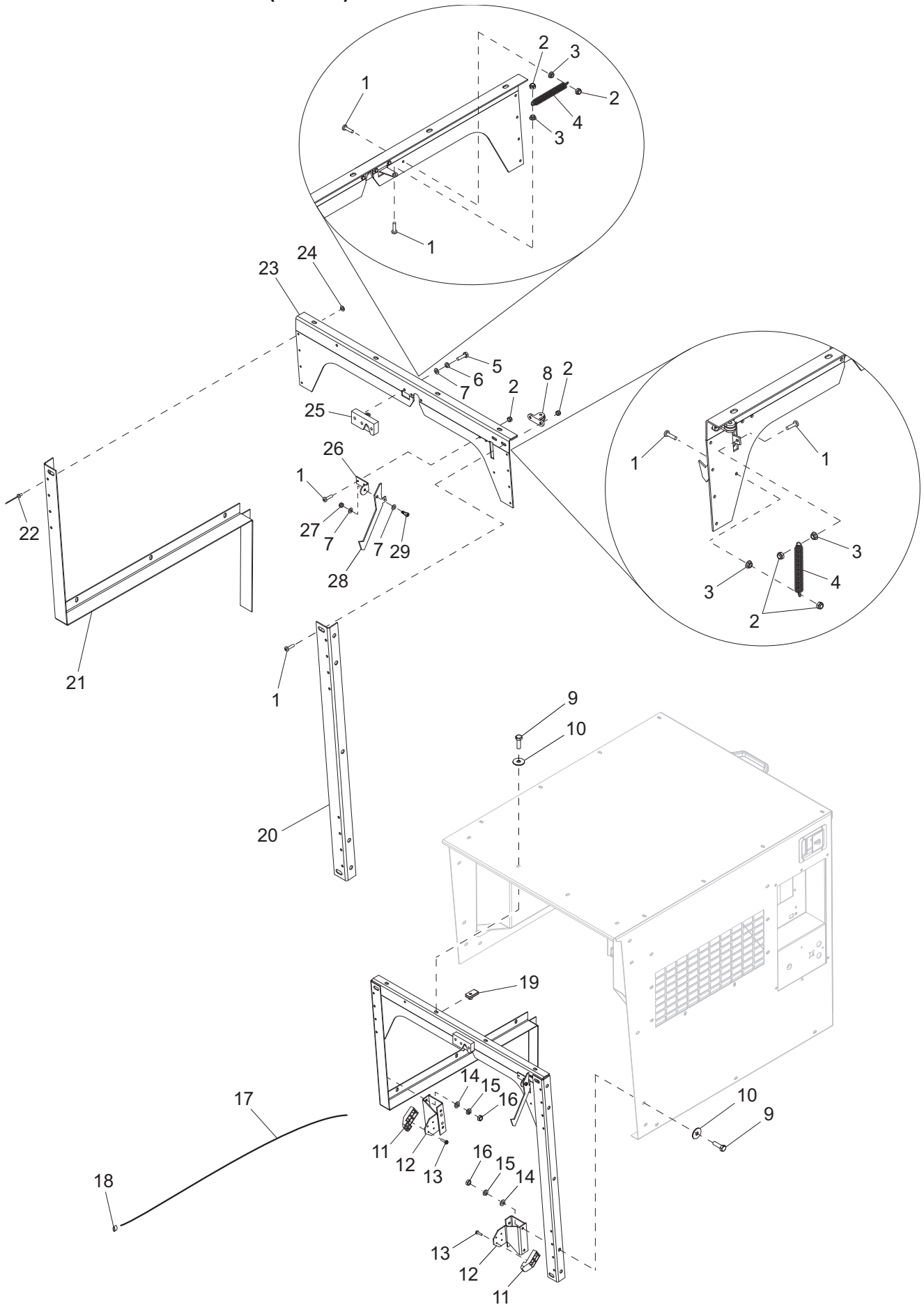
ITEM	PART NO.	QTY	DESCRIPTION	NOTES
1	60507	14	Screw, .312-18x1.0 std hex, SS	
2	60452	14	Washer, .313 flat 1.125/1.0, SS	Bonded rubber
3	60393	3	Screw, .250-20x1.0 std hex, G5	
4	60286	3	Washer, .250 split lock	
5	60243	3	Washer, .250 flat .735/.060	
6	60062	4	Screw, 10-32x.750 pan phil, G2	
7	60061	4	Nut, 10-32 nylock	
8	60041	12	Washer, M5 flat	
9	24441	1	Pulley, cable - .750 in	
10	24218B	2	Bracket, side sealing	
11	26287	1	Latch, remote right - w/spring return	
12	61045	2	Nut, 10-32 sflg	
13	60231	8	Rivet, .188 dia. x .375 to .500 grip	
14	60479	2	Screw, .250-20x1.0 sflg hex, G5	
15	25439ZC	2	Bracket, front hood stop	
16	60095	4	Nut, .312-18 sflg	
17	60161	2	Nut, .250-20 sflg, G5	
18	24538B	2	Weldment, front alignment bracket	
19	60426	8	Screw, 8-18x.750 flg hex, G2	
20	30249	4	Shoe, hood guide	
21	60505	10	Nut, .312-18 U-clip - long type	
22	24219B	1	Bracket, top sealing	
23	60237	8	Washer, #10 flat .495/.036	
24	26162	1	Spring, hood - .250x1.93	
--	50197	9.64 ft	Weatherstripping - .06x1.00	Not shown
--	50354	15.5 ft	Seal, rubber - bubble type (.750)	Not shown, used on hood edges
--	50358	9 ft	Seal, rubber - bubble type (1.00)	Not shown, used on area touching top lift post and top lift channel.
--	33174	1	Assembly, front hood	<a href="#">Pages 8-11</a>

# REAR HOOD ASSEMBLY (1 OF 2)



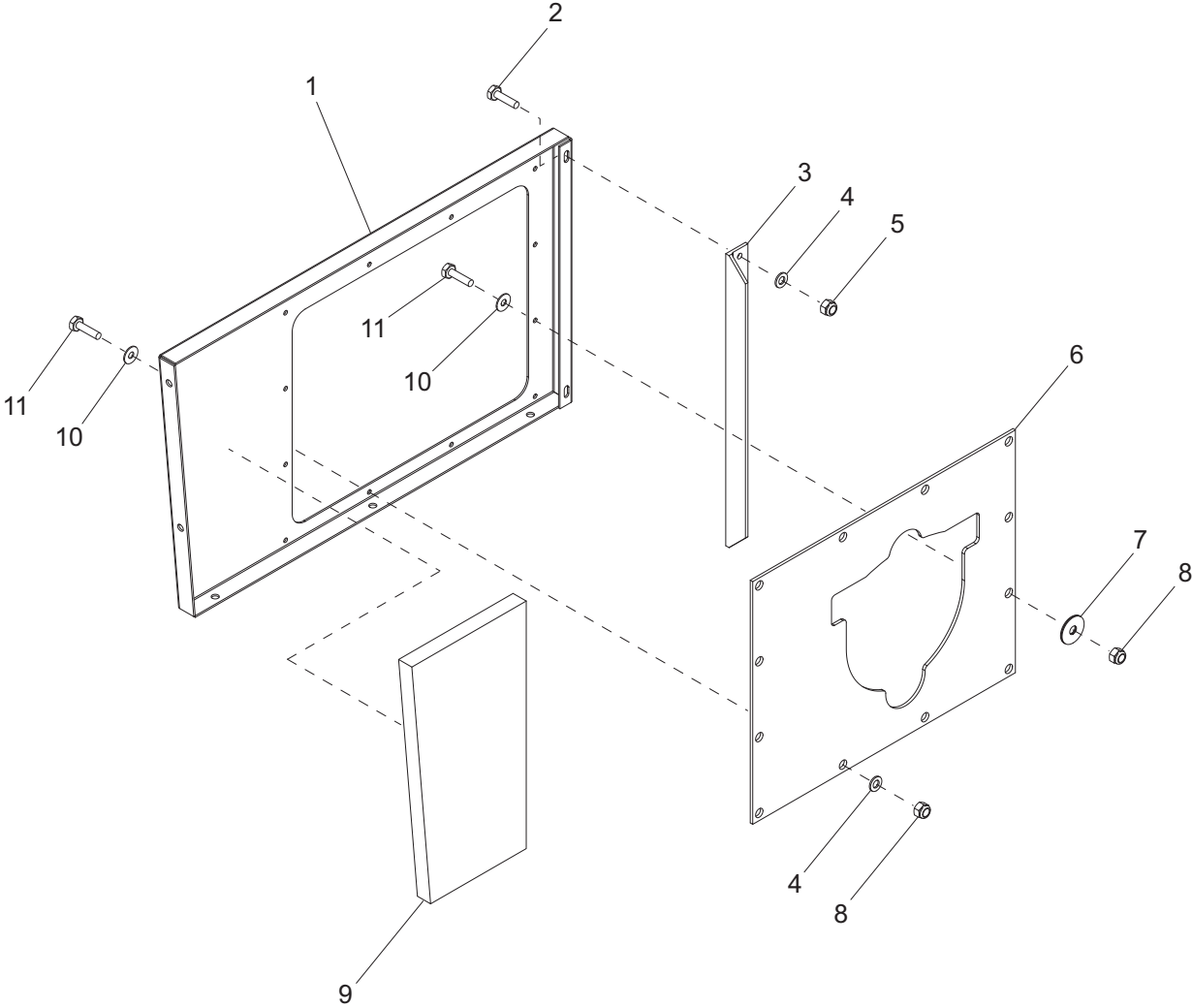
ITEM	PART NO.	QTY	DESCRIPTION	NOTES
1	49790W	1	Panel, hood - top	
2	60507	38	Screw, .312-18x1.0 std hex, SS	
3	60452	49	Washer, .313 flat 1.125/1.0, SS	Bonded rubber
4	49862	1	Foam, top panel	
5	62086	2	Nut, .312-18 U-clip - short type	
6	60095	2	Nut, .312-18 sflg	
7	60340	2	Washer, .312 flat .875/.040, SS	
8	26288	1	Handle, rear hood access	
9	60684	16	Screw, .250-20x.875 std hex, SS	
10	60696	24	Washer, .250 flat .625/.050, SS	
11	49789W	1	Panel, hood - rear	
12	60505	32	Nut, .312-18 U-clip - long type	
13	<a href="#">Page 18</a>	1	Box, controls mounting	
14	60269	4	Washer, #8 flat .433/.036	
15	31072W	1	Panel, hood - left	
16	24676	1	Latch, paddle w/padlock handle	
17	60268	4	Rivet, .188 dia. x .126 to .250 grip	
18	61195	4	Screw, .250-20x.750 std hex, SS	
19	62043	5	Screw, .312-18x2.250 std hex, SS	
20	24540	1	Holder, manual	
21	60787	4	Nut, .250-20x.750 std hex, SS	
22	32659	1	Foam, control side	
23	60989	2	Bolt, .500-13x3.125 rod end	
24	15380	2	Pin, cotter - .125x1.250	
25	60745	2	Pin, clevis - .500 dia. x 1.50	
26	31087B	1	Weldment, hood hinge	
27	60119	5	Washer, .312 flat .875/.070	
28	60271	5	Washer, .312 split lock	
29	60285	5	Nut, .312-18 hex, G2	
30	31785W	2	Duct, air	
31	32814	1	Rubber seal - 6.00 in. pump inlet	
32	60089	16	Washer, .265 fender 1.250/.060	
33	60144	16	Nut, .250-20 nylock, G5	
34	49863	2	Foam, rear hood - sides	
35	49864	1	Foam, rear hood - top	
36	32661	1	Foam, rear hood	
37	31071W	1	Panel, hood - right	

# REAR HOOD ASSEMBLY (2 OF 2)



ITEM	PART NO.	QTY	DESCRIPTION	NOTES
1	60062	8	Screw, 10-32x.750 pan phil, G2	
2	60061	8	Nut, 10-32 nylock	
3	61045	4	Nut, 10-32 sflg	
4	26162	2	Spring, .250x1.93 - rear hood	
5	60393	3	Screw, .250-20x1.0 std hex, G5	
6	60286	3	Washer, .250 split lock	
7	60243	5	Washer, .250 flat .735/.060	
8	24441	1	Pulley, cable - .750 in	
9	60507	18	Screw, .312-18x1.0 std hex, SS	
10	60452	18	Washer, .313 flat 1.125/1.0, SS	Bonded rubber
11	30249	2	Shoe, hood guide	
12	24450B	2	Weldment, hood locator	
13	60426	4	Screw, 8-18x.750 flg hex, G2	
14	60119	14	Washer, .312 flat .875/.070	
15	60271	14	Washer, .312 split lock	
16	60285	14	Nut, .312-18 hex, G2	
17	24677	1	Cable, remote latch - 56 in	
18	24678	2	Crimp, cable - for remote latch	
19	60505	4	Nut, .312-18 U-clip - long type	
20	24218B	1	Bracket, side sealing - left	
21	31158B	1	Bracket, side sealing - right	
22	60231	7	Rivet, .188 dia. x .375 to .500 grip	
23	26978B	1	Bracket, top sealing - rear	
24	60269	7	Washer, #8 flat .433/.036	
25	26287	1	Latch, remote right - w/spring return	
26	24822B	1	Bracket, prop rod	
27	60144	1	Nut, .250-20 nylock, G5	
28	24850ZC	1	Plate, secondary latch	
29	61138	1	Screw, shoulder, .312x.250 soc hex	
--	50197	16.35 ft	Weatherstripping - .06x1.00	Not shown
--	50358	12 ft	Seal, rubber - bubble type (1.00)	Not shown
--	50354	6.83 ft	Seal, rubber - bubble type (.750)	Not shown
--	31073	1	Assembly, rear hood	<a href="#">Pages 12-15</a>

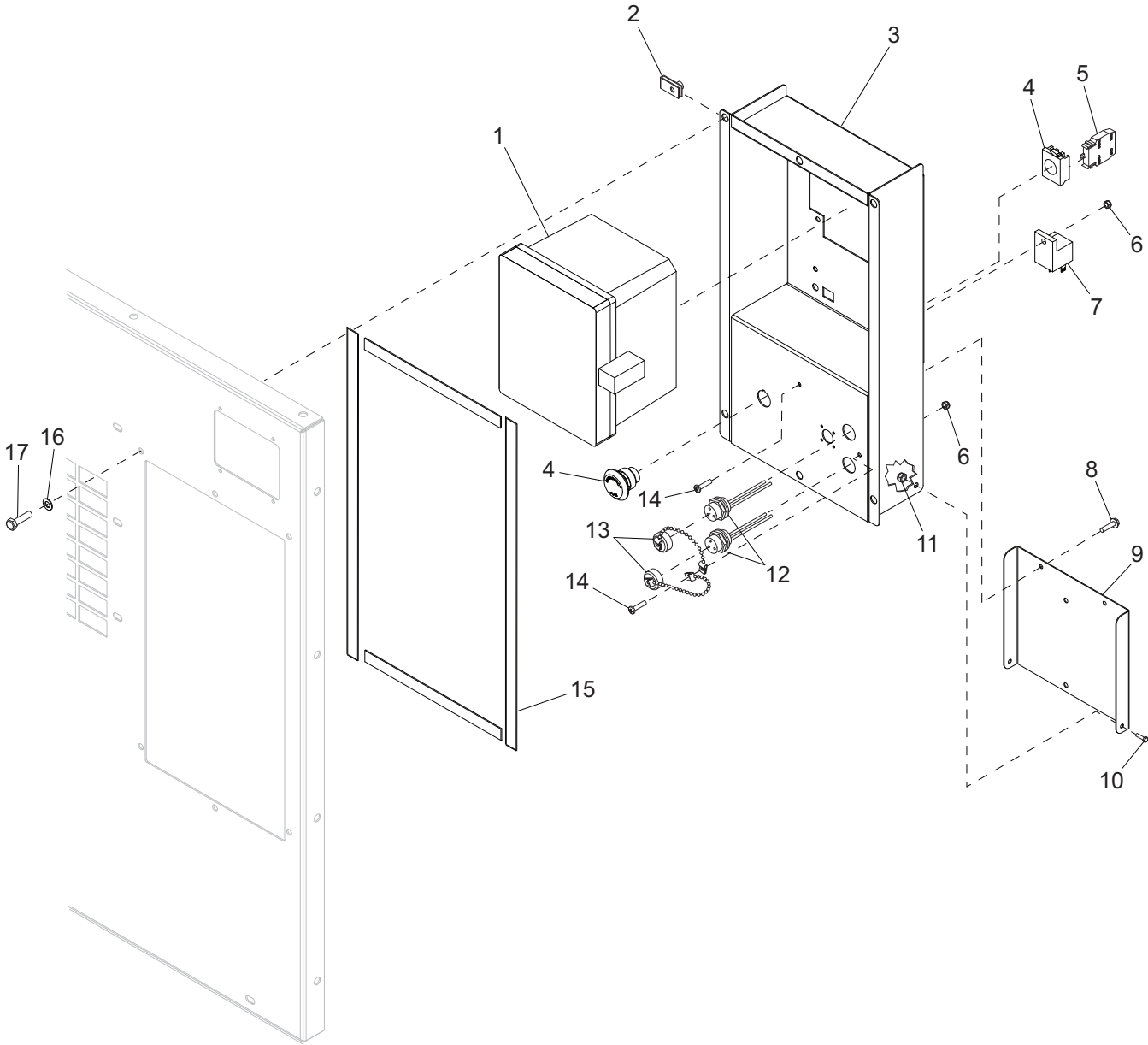
# SIDE OUTLET PANEL ASSEMBLY





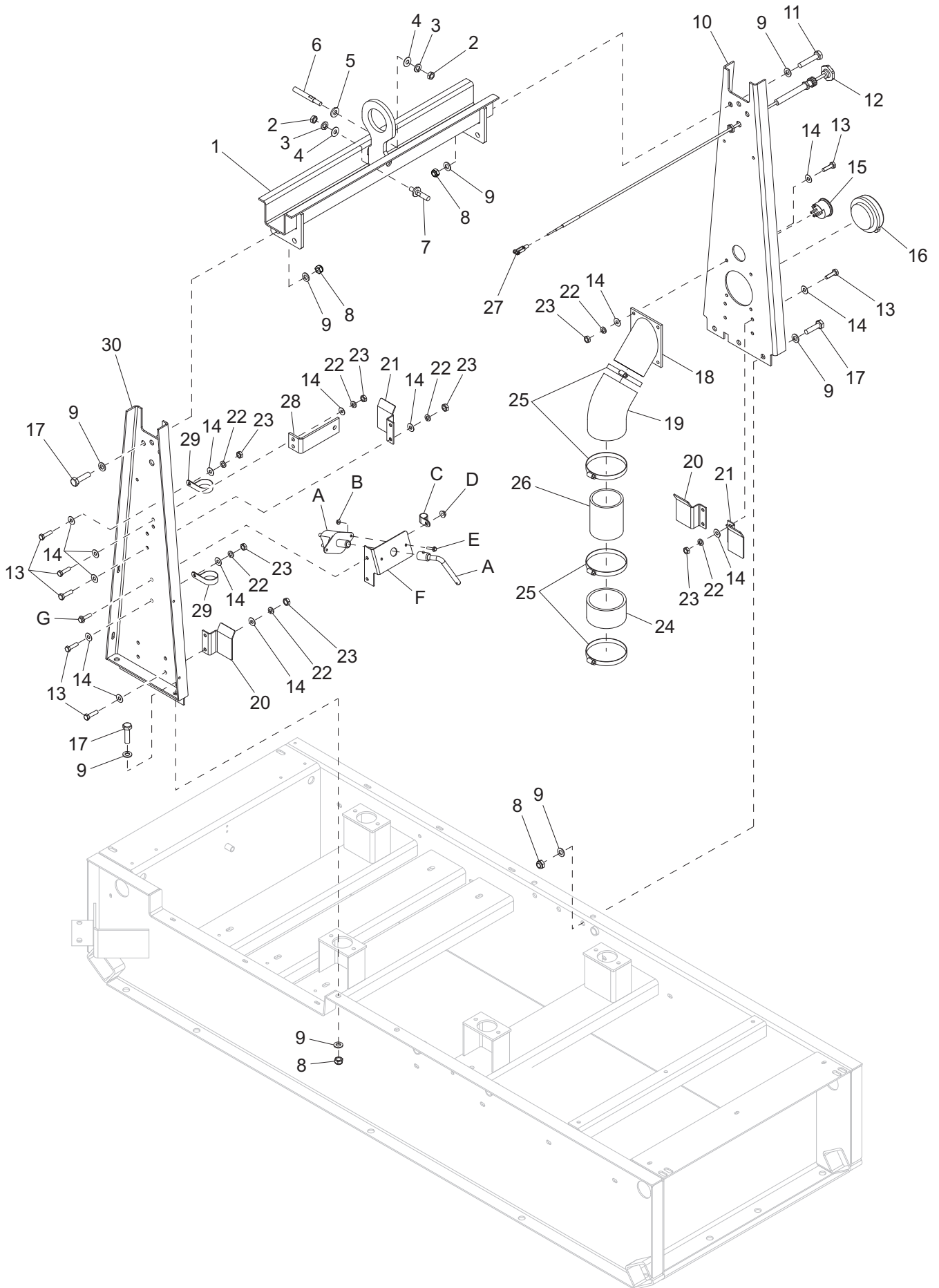
<b>ITEM</b>	<b>PART NO.</b>	<b>QTY</b>	<b>DESCRIPTION</b>	<b>NOTES</b>
1	31156W	1	Panel, side outlet	
2	60028	2	Screw, .312-18x1.0 std hex, G5	
3	32658B	1	Angle, side outlet support	
4	60119	6	Washer, .312 flat .875/.070	
5	60303	2	Nut, .312-18 nylock, G2	
6	32805	1	Rubber seal - pump outlet	
7	60089	8	Washer, .265 fender 1.250/.606	
8	60144	12	Nut, .250-20 nylock, G5	
9	32666	1	Foam, side outlet panel	
10	60696	12	Washer, .250 flat .625/.050, SS	
11	60684	12	Screw, .250-20x.875 std hex, SS	

# CONTROL BOX ASSEMBLY



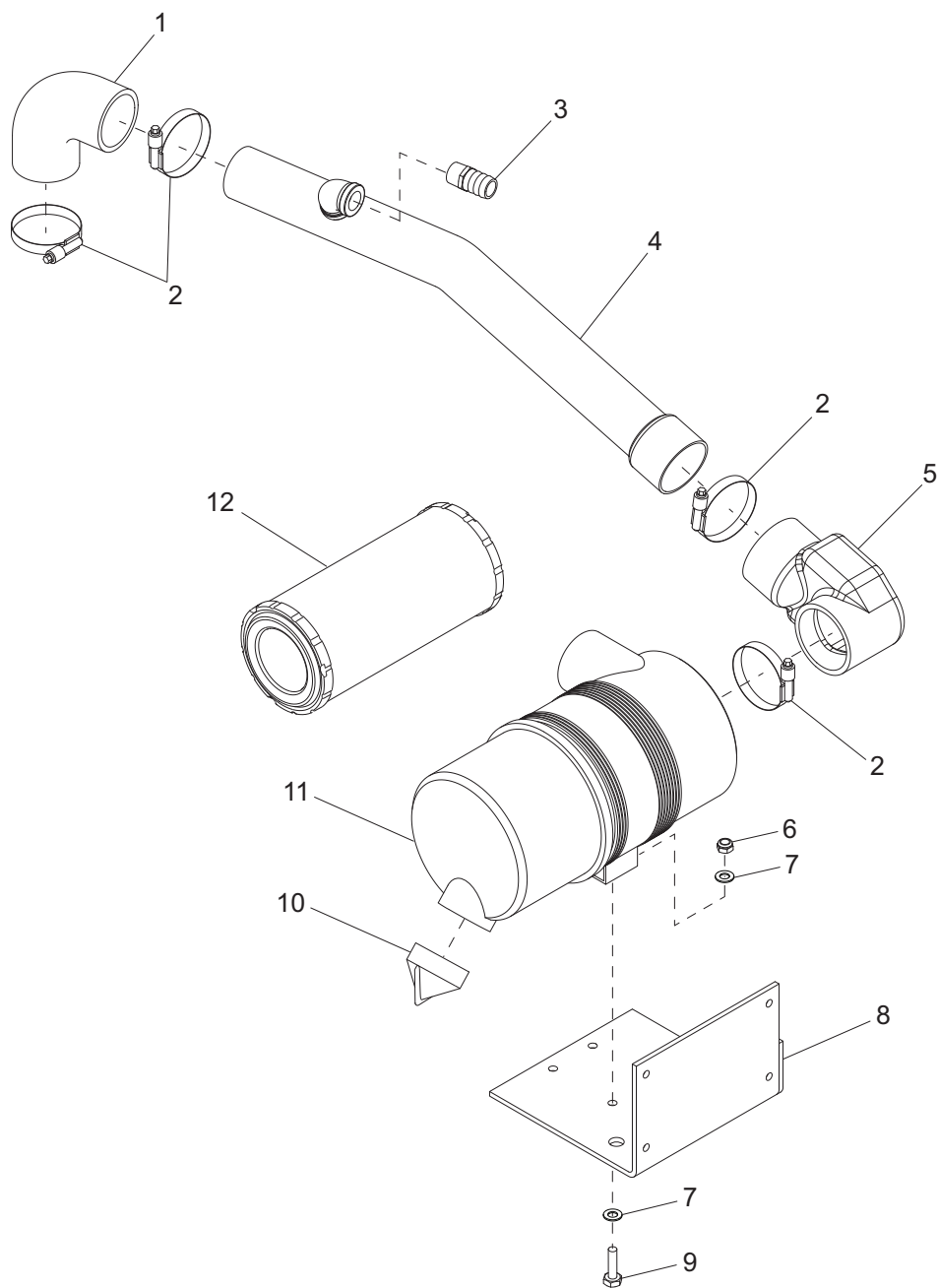
ITEM	PART NO.	QTY	DESCRIPTION	NOTES
1	33705	1	Program, controller - LOFA 750	
2	61143	6	Nut, .250-20 U-clip - short type	
3	49639B	1	Box, controls mounting	
4	65470	1	Switch, E-stop operator	
5	65584	1	Block, E-stop contactor – NO/NO	
6	60061	2	Nut, 10-32 nylock	
7	66455	1	Relay, 12V 70A NC/80A NO w/diode	
8	60175	2	Screw, .250-20x.500 sflg hex, G5	
9	49888B	1	Panel, controls mounting box	
10	60281	2	Screw, .250-20x.750 std hex, G5	
11	60144	2	Nut, .250-20 nylock, G5	
12	15403	2	Connector, quick disconnect - female	
13	15404	2	Receptacle cap with chain	
14	60398	2	Screw, 10-32x.500 pan phil, SS	
15	50230	4 ft	Weatherstripping - .188x.500	
--	32949	1	Assembly, control box	Items 1 - 15
16	60696	6	Washer, .250 flat .625/.050, SS	
17	60684	6	Screw, .250-20x.875 std hex, SS	

# LIFT STRUCTURE ASSEMBLY



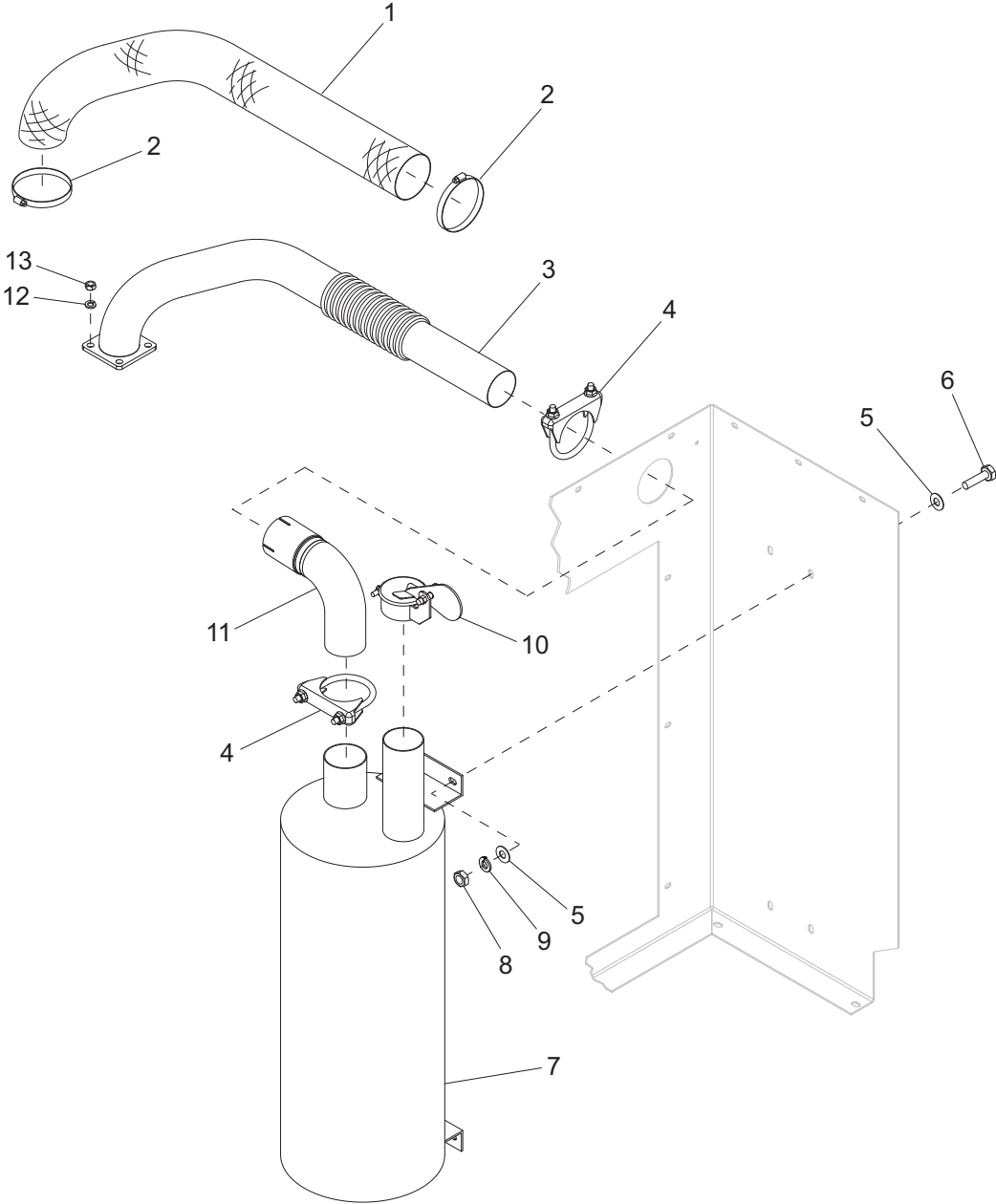
ITEM	PART NO.	QTY	DESCRIPTION	NOTES
1	49897B	1	Weldment, top lift channel	
2	24046	2	Nut, striker .438-14, G8	
3	60276	2	Washer, .500 split lock	
4	60386	2	Washer, .375 flat .993/.064	
5	24196	1	Washer, striker pin - int. thrd.	
6	26979ZY	1	Pin, striker - 3.25 in	
7	23643	1	Pin, striker - 1.875 in	
8	62221	16	Nut, .500-13 nylock, G5	
9	60309	32	Washer, .500 flat 1.06/.090	
10	32164B	1	Weldment, lift post - left	
11	60484	1	Screw, .500-13x2.0 std hex, G5	
12	41165	1	Cable, push/pull throttle	
13	61036	16	Screw, .375-16x1.25 std hex, SS	
14	60698	32	Washer, .375 flat .875/.040, SS	
15	65631	1	Gauge, fuel - elec. w/light	
16	23707	1	Cap, fuel fill - 3.50 in	
17	60388	15	Screw, .500-13x1.50 std hex, G5	
18	24296B	1	Weldment, fuel fill	
19	22286	1	Elbow, 45° - 4.0 ID molded rubber	
20	28524B	2	Bracket, hood guide - lft/front, rht/rear	
21	28523B	2	Bracket, hood guide - rht/front, lft/rear	
22	60206	20	Washer, .375 split lock	
23	60140	16	Nut, .375-16 hex, G5	
24	19612	1	Hose, air/fuel - 4.00 in	
25	19842	4	Clamp, hose - SAE 072 (4.06-5.00)	
26	41564B	1	Tube, fuel extension	
27	60962	1	Yoke - 10-32 female w/o .188 pin	
28	32802B	1	Bracket, throttle cable	
29	60716	2	Clamp, tubing - 1.50 lt duty	
30	49718B	1	Weldment, lift post - right	
A	21489	1	Battery disconnect switch - 500A cont.	Option: battery disconnect
B	60161	2	Nut, .250-20 sflg, G5	Option: battery disconnect
C	60716	1	Clamp, tubing - 1.50 lt duty	Option: battery disconnect
D	60095	2	Nut, .312-18 sflg	Option: battery disconnect
E	60107	2	Screw, .250-20x.750 sflg hex, G5	Option: battery disconnect
F	26095B	1	Bracket, battery disconnect	Option: battery disconnect
G	61091	2	Screw, .312-18x1.00 sflg hex, G5	Option: battery disconnect

# AIR FILTER ASSEMBLY



ITEM	PART NO.	QTY	DESCRIPTION	NOTES
1	32037	1	Elbow, 90° - 2.5 ID molded rubber	
2	18663	4	Clamp, hose - SAE 060 (3.31-4.25)	
3	25496	1	Fitting, strt - .750MNPTx1.0 barb, brs	
4	32800B	1	Weldment, air intake tube	
5	24478	1	Elbow, 90° - 3.0 ID molded rubber	Cobra-head
6	60303	2	Nut, .312-18 nylock, G2	
7	60119	4	Washer, .312 flat .875/.070	
8	32786B	1	Weldment, eductor/air filter/reservoir brkt	
9	60028	2	Screw, .312-18x1.0 std hex, G5	
10	19277	1	Cap, dust ejector	
11	22967	1	Filter, air	
12	22874	1	Element, air filter	

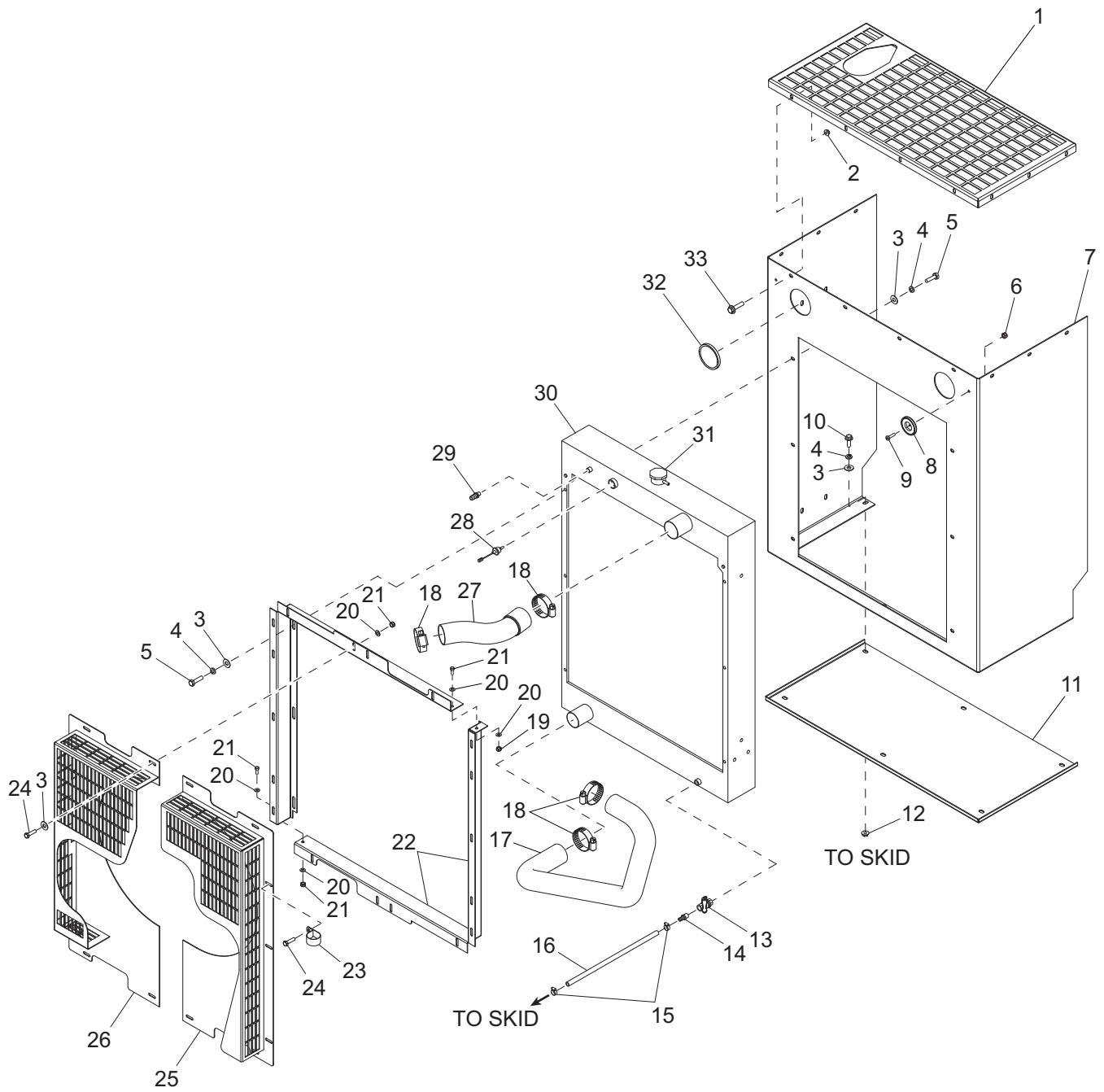
# EXHAUST SYSTEM ASSEMBLY





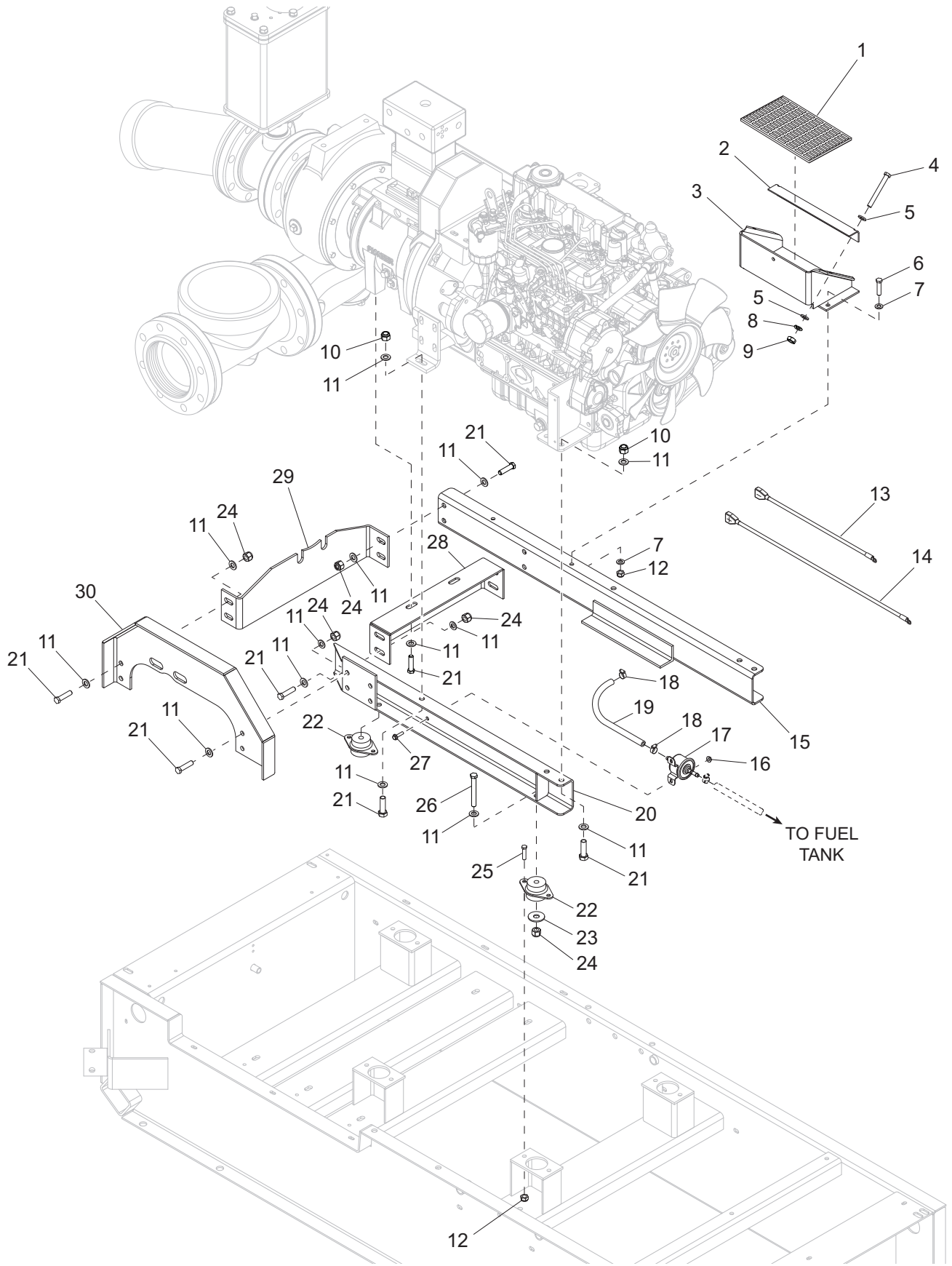
<b>ITEM</b>	<b>PART NO.</b>	<b>QTY</b>	<b>DESCRIPTION</b>	<b>NOTES</b>
1	30811	4.20 ft	Sleeve, high temp - 4.00 in	
2	19336	2	Clamp, hose - SAE 044 (2.31-3.25)	
3	33001	1	Pipe, exhaust	
4	15550	2	Clamp, muffler - 2.50 in. hvy duty	
5	60386	8	Washer, .375 flat .993/.064	
6	60205	4	Screw, .375-16x1.0 std hex, G5	
7	24332	1	Muffler, exhaust	
8	60358	4	Nut, .375-16 nylock, G5	
9	60206	4	Washer, .375 split lock	
10	25647	1	Cap, rain - 2.50 in	
11	29692	1	Pipe, exhaust	
12	60026	4	Washer, M10 split lock	
13	60385	4	Nut, M10-1.25 hex, G8.8	

# COOLING SYSTEM ASSEMBLY



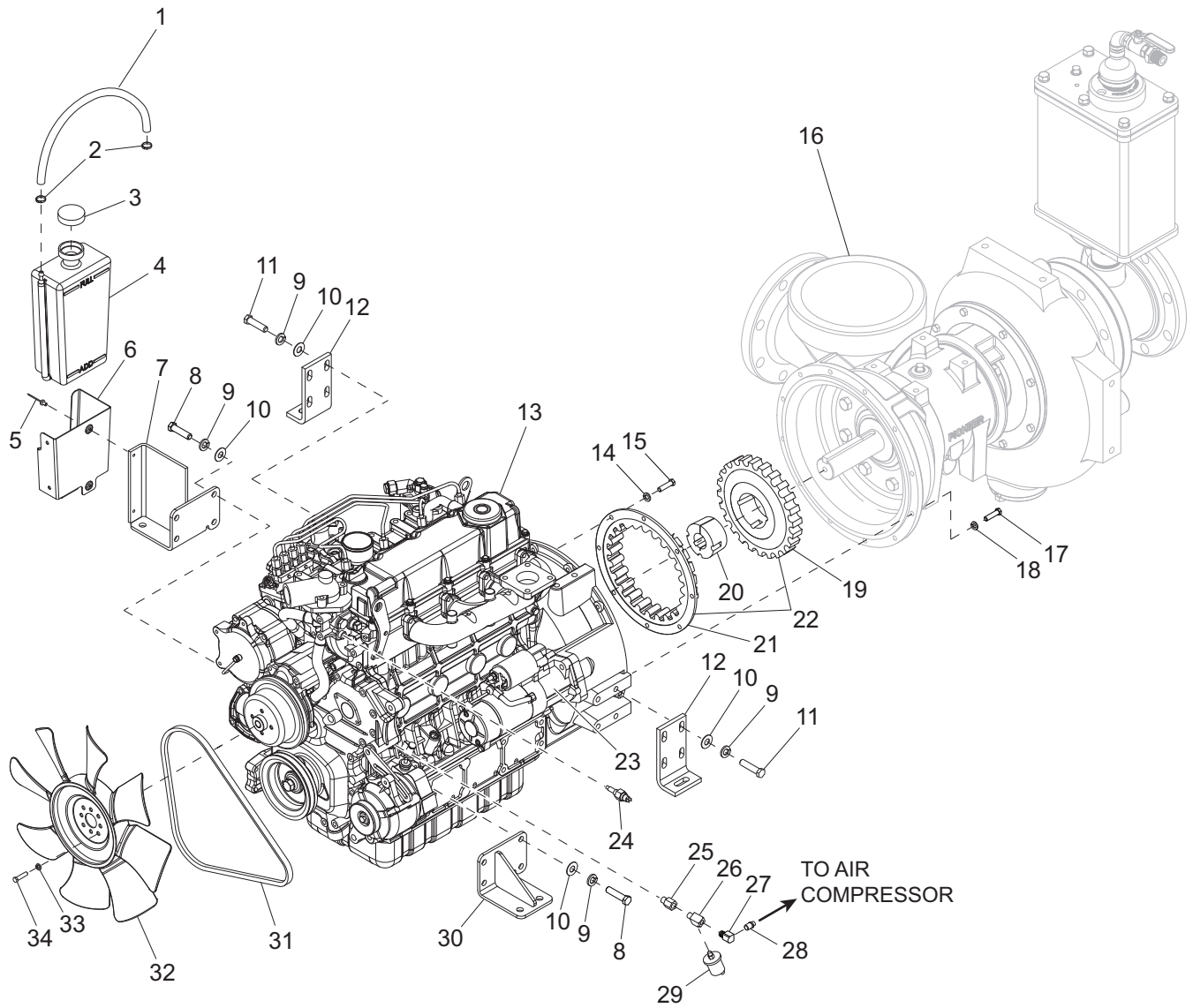
ITEM	PART NO.	QTY	DESCRIPTION	NOTES
1	24309B	1	Panel, roof outlet	
2	60161	10	Nut, .250-20 sflg, G5	
3	60119	12	Washer, .312 flat .875/.070	
4	60271	12	Washer, .312 split lock	
5	60168	12	Screw, .312-18x.750 std hex, G5	
6	60457	2	Nut, 10-24 nylock, G2	
7	24848B	1	Panel, bulkhead	
8	24950	2	Magnet, disc - 2.03 in	
9	60398	2	Screw, 10-32x.500 pan phil, SS	
10	61091	6	Screw, .312-18x1.0 sflg hex, G5	
11	24849B	1	Panel, bulkhead - lower	
12	60095	3	Nut, .312-18 sflg	
13	62032	1	Valve, ball .375NPTF - mini	
14	19180	1	Fitting, strt - .375MNPTx.312 barb	
15	14216	2	Clamp, hose - SAE 004 (.21-.62) mini	
16	50018	.5 ft	Hose, fuel - .312 ID, 50 psi, SAE 30R7	
17	30494	1	Hose, radiator - lower	
18	60316	4	Clamp, hose - SAE 032 (1.56-2.50)	
19	60144	16	Nut, .250-20 nylock, G5	
20	60243	32	Washer, .250 flat .735/.060	
21	60393	2	Screw, .250-20x1.0 std hex, G5	
22	41527B	2	Radiator shroud	
23	16143	1	Clamp, tubing - .500	
24	60281	14	Screw, .250-20x.750 std hex, G5	
25	31060B	1	Weldment, fan guard - right	
26	31061B	1	Weldment, fan guard - left	
27	30493	1	Hose, radiator - upper	
28	30942	1	Assembly, low coolant switch/harness	
29	25917	1	Fitting, strt - .250NPTx.625 barb	
30	24816	1	Radiator	
31	19219	1	Cap, radiator pressure - small, 14.7 psi	
32	27434	1	Plug, 3.00 in. hole - blk nyl press-in	
33	60175	10	Screw, .250-20x.500 sflg hex, G5	

# ENGINE AND PUMP TO SKID ASSEMBLY



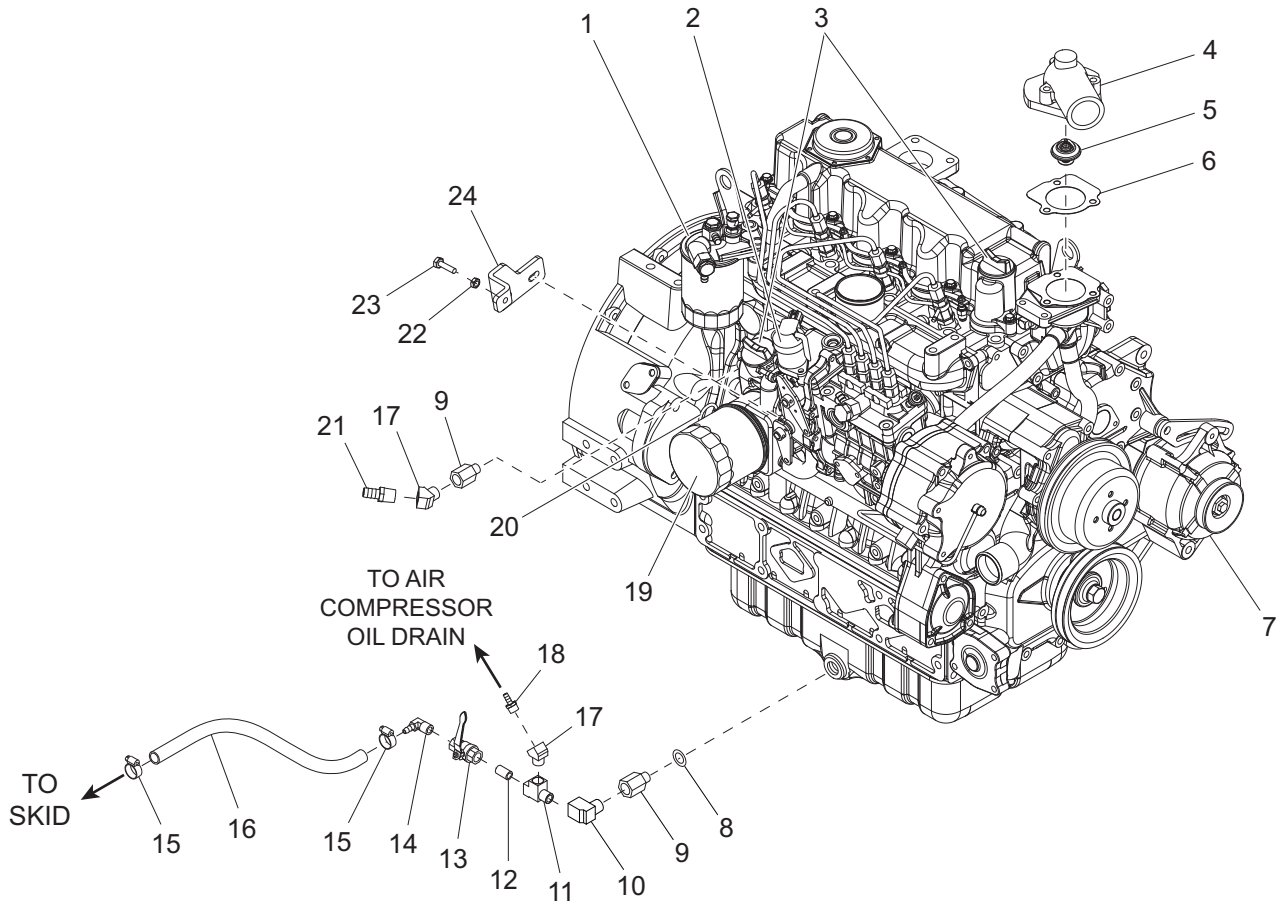
ITEM	PART NO.	QTY	DESCRIPTION	NOTES
1	41185	1	Battery pad - 6.0x10.0 in	
2	41055B	1	Bracket, battery tie-down	
3	31016B	1	Weldment, battery bracket	
4	60845	2	Screw, .312-18x7.0 std hex, G5	
5	60119	4	Washer, .312 flat .875/.070	
6	60352	2	Screw, .375-16x1.250 std hex, G5	
7	60386	4	Washer, .375 flat .993/.064	
8	60271	2	Washer, .312 split lock	
9	60303	2	Nut, .312-18 nylock, G2	
10	62221	6	Nut, .500-13 nylock, G5	
11	60309	42	Washer, .500 flat 1.060/.090	
12	60358	10	Nut, .375-16 nylock, G5	
13	65686	1	Cable, battery - 24 in. 2GA, blk	3/8 in. lug
14	32812	1	Cable, battery - 34 in. 2GA, red	3/8 in. lug
15	31031B	1	Weldment, engine support channel - LH	
16	60161	2	Nut, .250-20 sflg, G5	
17	13278	1	Pump, fuel - Kubota electric D905	
18	14216	2	Clamp, hose - SAE 004 (.21-.62) mini	
19	50018	3 ft	Hose, fuel - .312 ID, 50 psi, SAE30R7	
20	31030B	1	Weldment, engine support channel - RH	
21	60388	12	Screw, .500-13x1.50 std hex, G5	
22	22788	4	Isolator, rubber - 350 lb	
23	18085	4	Washer, .510 snub 2.0/.130	
24	60668	16	Nut, .500-13 nylock, G8	
25	60205	8	Screw, .375-16x1.0 std hex, G5	
26	61094	4	Screw, .500-13x3.50 std hex, G8	
27	60479	2	Screw, .250-20x1.0 sflg hex, G5	
28	31789B	1	Bracket, pump support	
29	31791B	1	Bracket, pump support	
30	31790B	1	Bracket, pump support	

# ENGINE ASSEMBLY - LEFT SIDE



ITEM	PART NO.	QTY	DESCRIPTION	NOTES
1	50018	2.33 ft	Hose, fuel - .312 ID, 50 psi, SAE 30R7	
2	60778	2	Clamp, hose - .188 fuel hose	Crimp style
3	19714	1	Cap, overflow jug	
4	24952	1	Jug, overflow - 2.5 qt	
5	60195	2	Rivet, .188 dia. x .375 to .500 grip	
6	26211B	1	Bracket, overflow jug	
--	26212	1	Assembly, overflow jug - 2.5 qt	Items 3 - 6
7	31034B	1	Weldment, engine mount - RH	
8	63076	8	Screw, M12-1.25x30 std hex, G10.9	
9	60276	16	Washer, .500 split lock	
10	60309	16	Washer, .500 flat 1.060/.090	
11	63186	8	Screw, .500-13x1.250 std hex, G5	
12	49819B	2	Bracket, engine support	
13	49914	1	Engine, Kubota V3600-E3B-KEA-3	
14	60206	8	Washer, .375 split lock	
15	60179	8	Screw, .375-16x.750 std hex, G8	
16	<a href="#">Page 36</a>	1	Pump, trash - 6 in. VP66S10L72-EG410	
17	60215	12	Screw, M10-1.50x35 std hex, G8.8	
18	60026	12	Washer, M10 split lock	
19	41192	1	Coupling, rubber driver	
20	49685	1	Bushing, 2517 (hub)	
21	41191	1	Coupling, flywheel ring	
22	41193	1	Coupling, flywheel ring & rubber driver	
23	32742	1	Starter, Kubota V3600-E3B-KEA-3	
24	32040	1	Sender, temp - .375NPT Lofa	
25	27438	1	Fitting, strt - .125FNPTx.125-28MBST	
26	60735	1	Fitting, strt. T - .125NPT, brass	
27	60734	1	Fitting, 90° - .125MNPTx.125FNPT, brs	
28	61073	1	Fitting, strt - .125MNPTx.250MJIC, brs	
29	30242	1	Sender, oil - .125NPT (150 psi) Lofa	
30	31035B	1	Weldment, engine mount - LH	
31	32741	1	Belt, fan - Kubota V3600-E3B-KEA-3	
32	32783	1	Fan, pusher - Kubota V3600	
33	60029	4	Washer, M8 split lock	
34	61082	4	Screw, M8-1.25x20 std hex, G8.8	

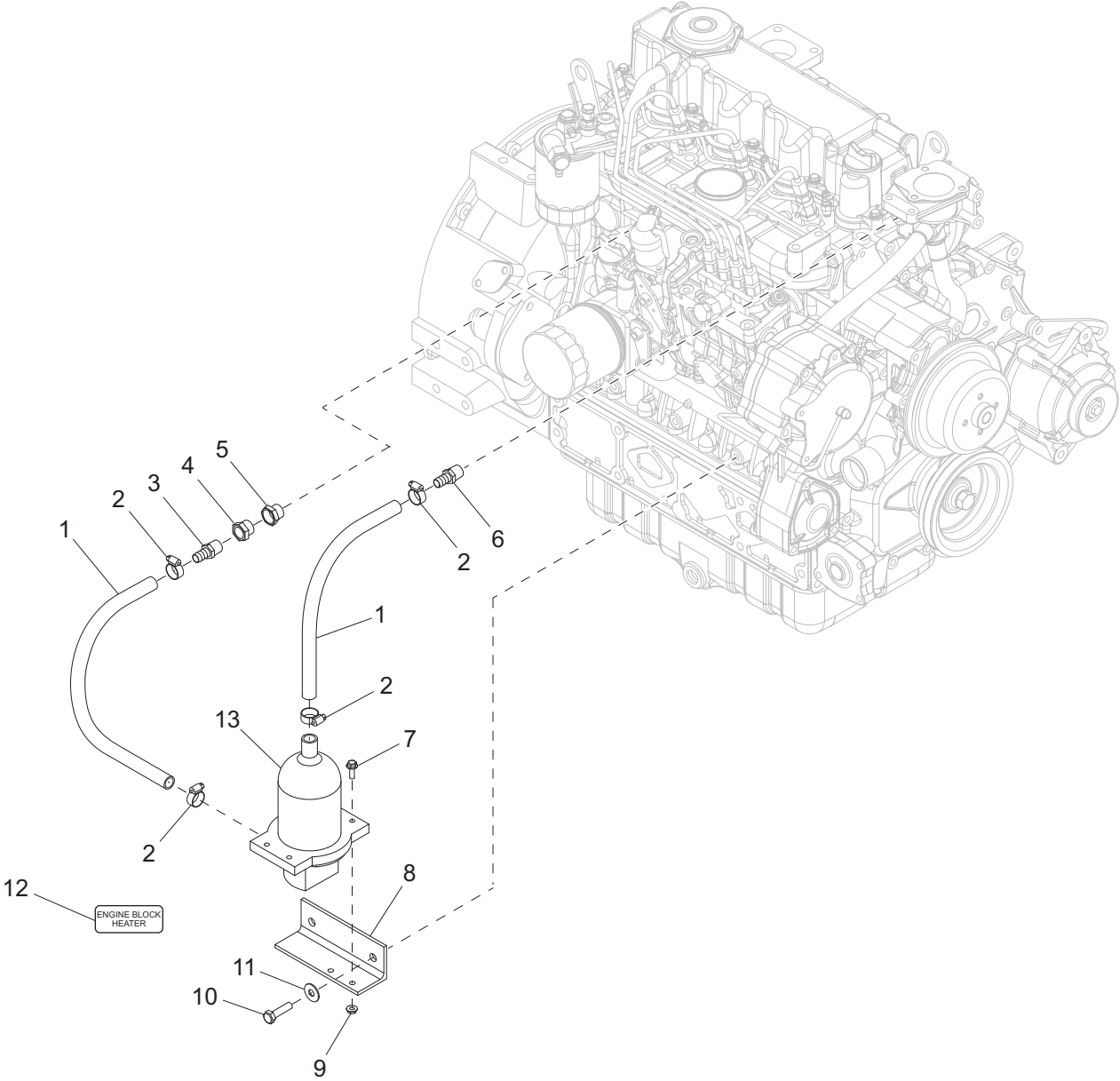
# ENGINE ASSEMBLY - RIGHT SIDE





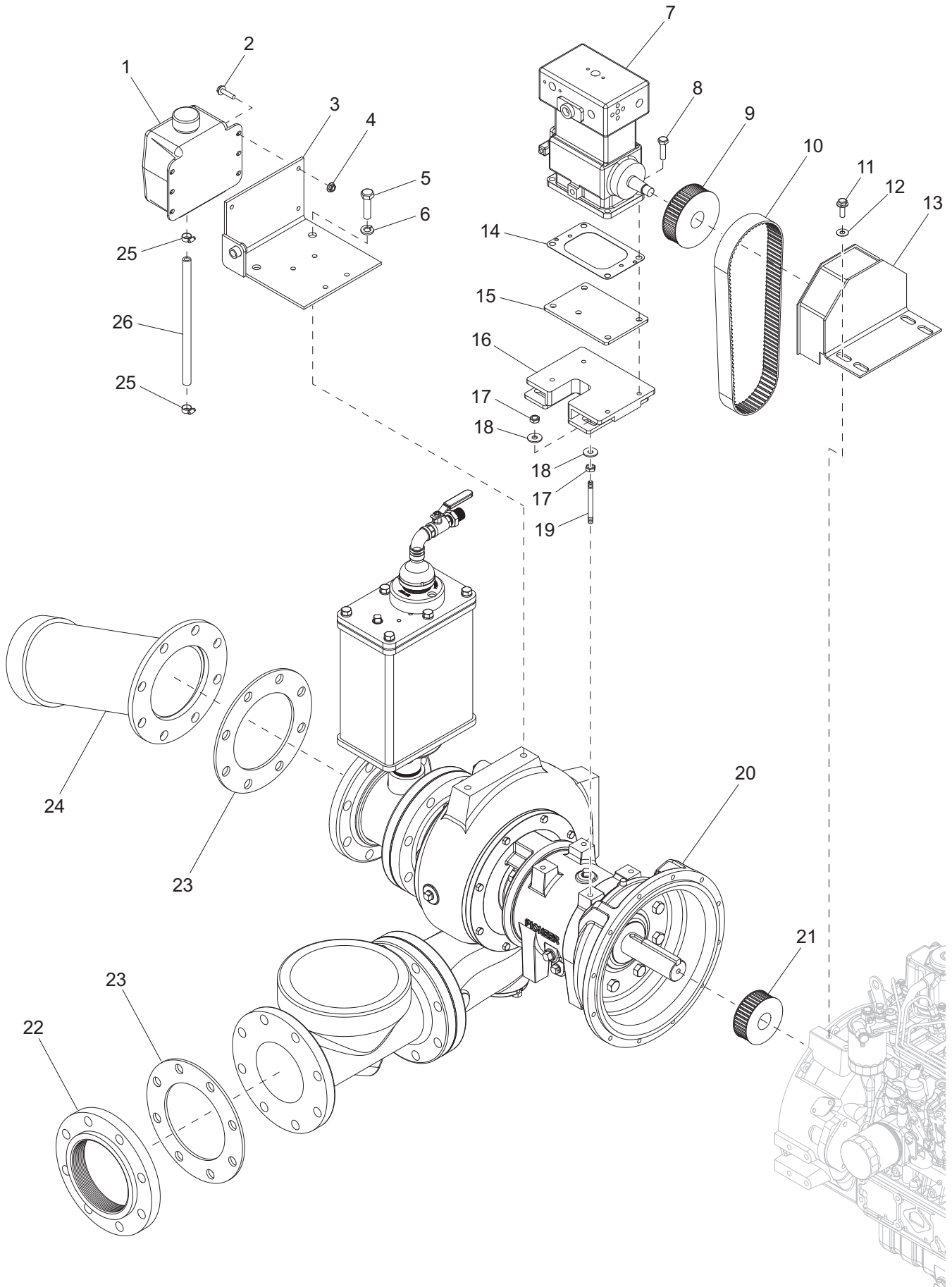
ITEM	PART NO.	QTY	DESCRIPTION	NOTES
1	32745	1	Filter, fuel - Kubota V3600-E3B-KEA-3	
2	32788	1	Solenoid plug, shutdown - Kubota	
3	27473	2	Cap, oil fill - Kubota V3600-E3B-KEA-3	
4	27223	1	Coolant outlet port - Kubota	
5	28979	1	Thermostat - Kubota V3600T & V3600	
6	33253	1	Gasket, thermostat housing - Kubota	
7	32743	1	Alternator - Kubota V3600-E3B-KEA-3	
8	19467	1	Seal, M22	
9	66785	2	Fitting, strt - .500FNPTxM16x1.50	
10	60998	1	Fitting, 90° - .500MNPTx.500FNPT, brs	
11	61030	1	Fitting, T - .500NPT, brass	
12	60438	1	Fitting, nipple, pipe - .500NPT x close	
13	60985	1	Valve, ball - .500NPTF pad-locking	
14	61014	1	Fitting, 90° - .500MNPTx.625 barb, brs	
15	14216	2	Clamp, hose - SAE 004 (.21-.62) mini	
16	50201	1.5 ft	Hose, .625, 200 psi, class A	
17	61040	2	Fitting, 45° - .500MNPTx.500FNPT, brs	
18	23816	1	Fitting, strt - .500MNPTx.375 barb, brs	
19	32744	1	Filter, oil - Kubota V3600-E3B-KEA-3	
20	27472	1	Dipstick, Kubota V3600T	
21	60502	1	Fitting, strt - .500MNPTx.625 barb, brs	
22	60284	1	Nut, .250-20 hex, G2	
23	60409	1	Screw, M6-1.00x45 std hex, G8.8	
24	32043B	1	Weldment, rpm limiting screw	

# HOTSTART KIT OPTION



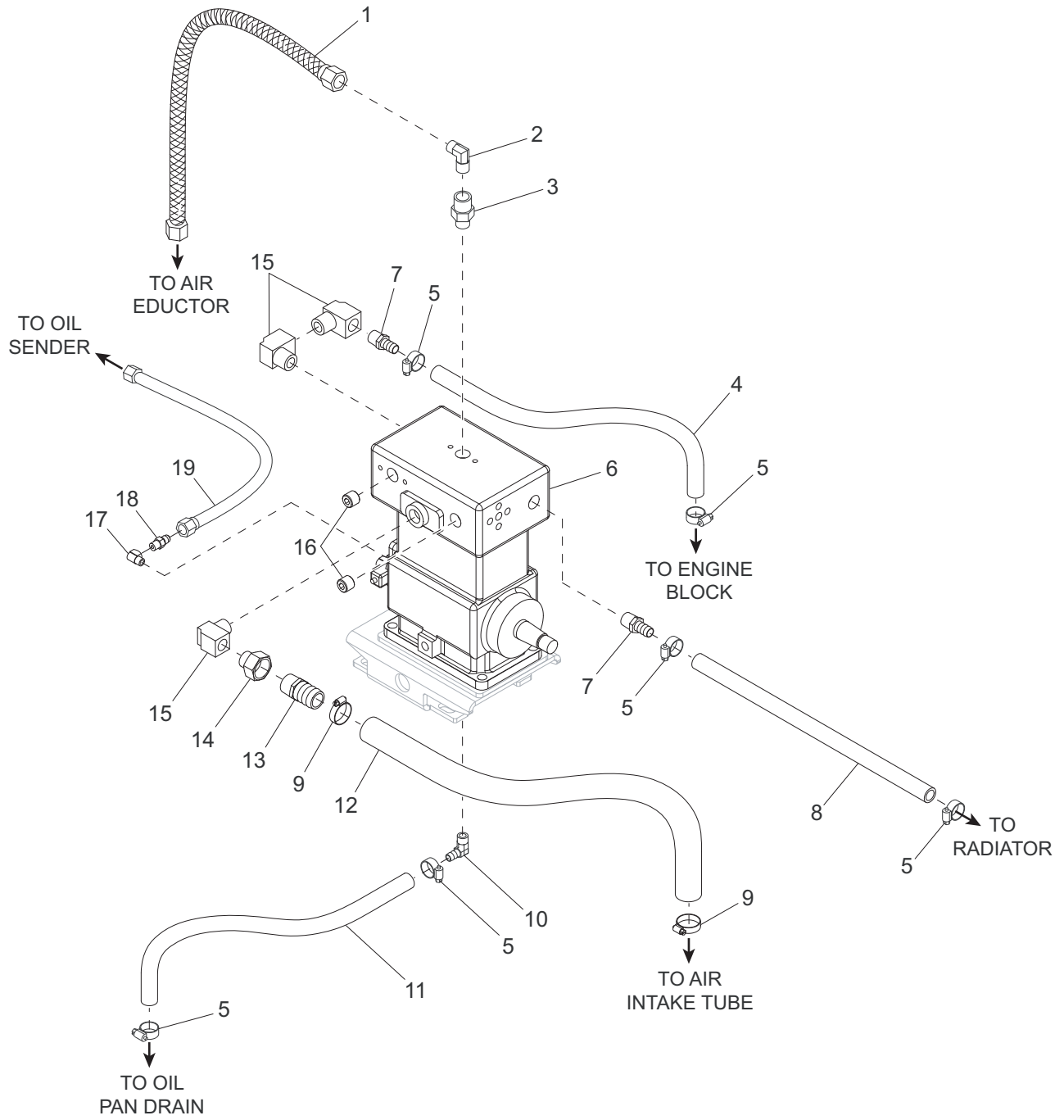
<b>ITEM</b>	<b>PART NO.</b>	<b>QTY</b>	<b>DESCRIPTION</b>	<b>NOTES</b>
1	50201	2.16 ft	Hose, .625, 200 psi, class A	
2	60365	4	Clamp, hose - SAE 010 (.56-1.06)	
3	60502	1	Fitting, strt - .500MNPTx.625 barb, brs	
4	61161	1	Fitting, bushing - .750MNPTx.500FNPT, brs	
5	24006	1	Fitting, strt - 1.0MNPTx.750FNPT	
6	25931	1	Fitting, strt - .375NPTx.625 barb	
7	60479	2	Screw, .250-20x1.0 sflg hex, G5	
8	32803B	1	Bracket, block heater	
9	60161	2	Nut, .250-20 sflg, G5	
10	60422	2	Screw, M10-1.25x25 std hex, G8.8	
11	60386	2	Washer, .375 flat .993/.064	
12	28964	1	Decal, engine block heater	
13	25914	1	Heater, coolant	

# EXTERNAL PUMP ASSEMBLY



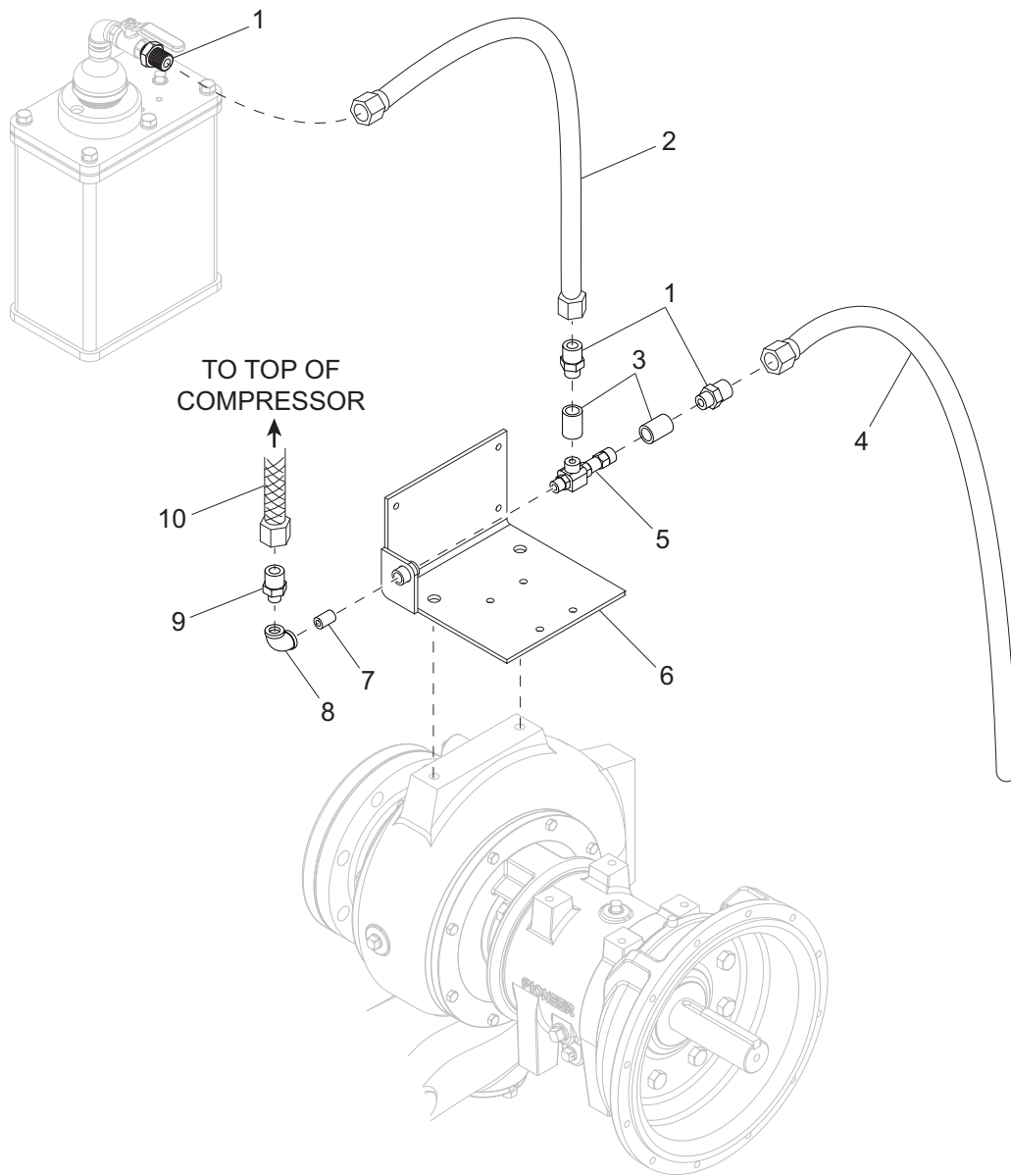
ITEM	PART NO.	QTY	DESCRIPTION	NOTES
1	49585	1	Reservoir, seal oil (poly 3 qt)	
2	61091	2	Screw, .312-18x1.0 sflg hex, G5	
3	32786B	1	Weldment, eductor/air filter/reservoir brkt	
4	60095	2	Nut, .312-18 sflg	
5	63113	2	Screw, .625-11x1.0 std hex, G5	
6	61023	2	Washer, .625 split lock	
7	Page 38	1	Compressor, air - Bendix TF-550108112	
8	63283	4	Screw, .438-14x1.50 std hex, G5	
9	30498	1	Pulley, driver - 48 tooth, air compressor	
10	33235	1	Belt, timing	
11	60019	4	Screw, M12-1.75x20 sflg hex, G8.8	
12	60309	8	Washer, .500 flat 1.060/.090	
13	32035B	1	Weldment, belt guard	
14	49421	1	Gasket, compressor base	
15	32703B	1	Bracket, compressor base	
16	33192B	1	Weldment, compressor mount	
17	60333	8	Nut, .500-13 jam, G5	
18	61096	4	Washer, .500 flat 1.375/.110	
19	63282	4	Stud, .500-13x2.50, G5	
20	49263B	1	Pump, trash - 6.00 dry prime	VP66S10L72-EG410
21	30497	1	Pulley, driven - 40 tooth, air compressor	
22	41306B	1	Flange, 6.00NPT female - ANSI 150 lb	
23	41061	2	Gasket, pump flange - 6.00	
24	49371B	1	Weldment, pump inlet - 6.00	
25	14216	2	Clamp, hose - SAE 004 (.21-.62) mini	
26	50332	1.16 ft	Hose, fuel - .750 ID, 35 psi, SAE 30R7	

# PUMP AIR COMPRESSOR ASSEMBLY



ITEM	PART NO.	QTY	DESCRIPTION	NOTES
1	49731	1	Hose assy - .375 braided x 58.0 long	Supplied with pump
2	49792	1	Fitting, 90° SAE12 MJICx12 FJIC	
3	63181	1	Fitting, strt - .500MNPTx.75	
4	50201	5.16 ft	Hose, .625, 200 psi, class A	
5	60365	6	Clamp, hose - SAE 010 (.56-1.06)	
6	49267	1	Compressor, air - Bendix TF-550108112	
7	60502	2	Fitting, strt - .500MNPTx.625 barb, brs	
8	50201	2.83 ft	Hose, .625, 200 psi, class A	
9	19338	2	Clamp, hose - SAE 016 (.68-1.50)	
10	20645	1	Fitting, 90° - .250NPTx.375 barb, brs	
11	50051	2.12 ft	Hose, fuel - .375 ID, 50 psi, SAE 30R7	
12	50019	1.33 ft	Hose, fuel - 1.00, SAE 20R3	
13	25496	1	Fitting, strt - .750MNPTx1.0 barb, brs	
14	22461	1	Fitting, strt - .500MNPTx.750FNPT, brs	
15	60998	3	Fitting, 90° - .500MNPTx.500FNPT, brs	
16	63115	2	Fitting, plug - .125NPT x flush mount	
17	60734	1	Fitting, 90° - .125MNPTx.125FNPT, brs	
18	61073	1	Fitting, strt - .125MNPTx.250MJIC, brs	
19	41420	1	Hose, oil supply - .25 IDx50.0, 300 psi	

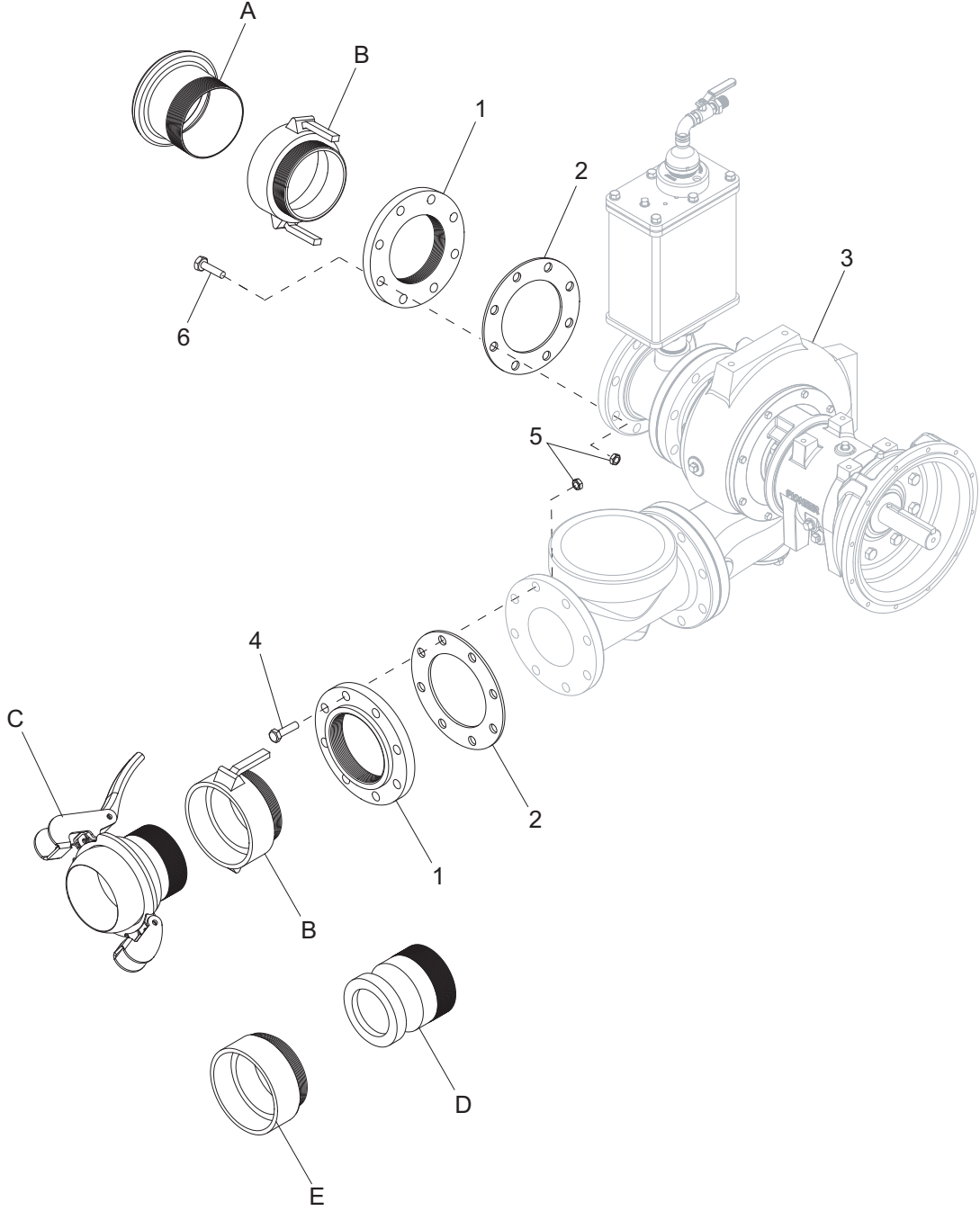
# AIR EDUCTOR KIT





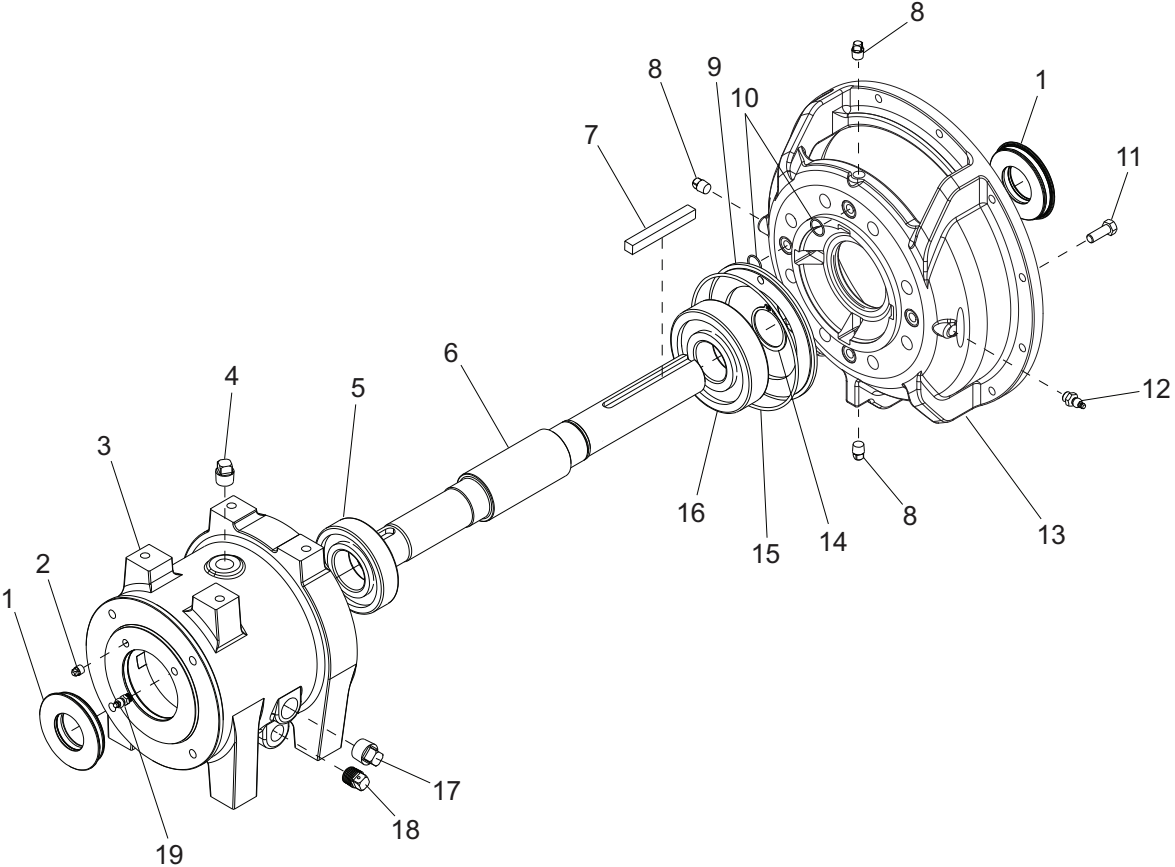
ITEM	PART NO.	QTY	DESCRIPTION	NOTES
1	49724	3	Fitting, 1/2NPT - 3/4 JIC	
2	49725	1	Hose assembly, 3/4 in. pipe x 19 in	
3	49726	2	Coupling 1/2NPTx1/2NPT	
4	49727	1	Hose assembly 3/4 in. pipe x 58 in	
5	49572	1	Air eductor	
6	49571	1	Bracket, jet pump - 3/8NPT	
7	49728	1	Nipple, 3/8NPT	
8	49729	1	Elbow, 90° - 3/8NPT	
9	49730	1	Fitting, 3/8NPT - 3/8 JIC	
10	49731	1	Hose assy, .375 braided x 58.0 long	
--	49732	1	Air eductor kit	Items 1 - 10

# INLET & OUTLET FITTINGS



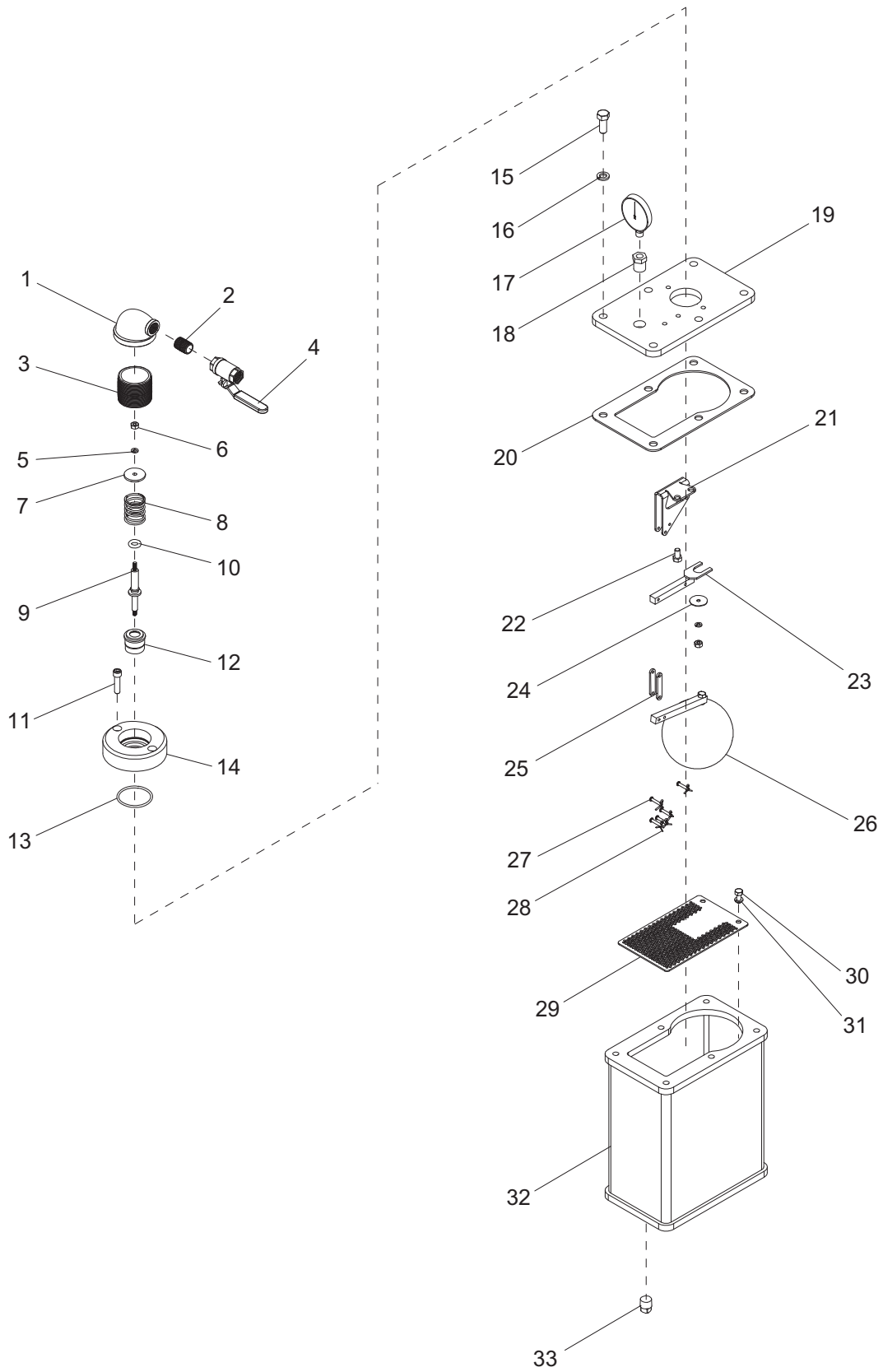
ITEM	PART NO.	QTY	DESCRIPTION	NOTES
1	41306B	2	Flange, 6.00 NPT female - ANSI 150 lb	
2	41061	2	Gasket, pump flange - 6.00	
3	49263B	1	Pump, trash - 6.00 dry prime	<a href="#">Page 36</a>
4	61076	16	Screw, .750-10x3.0 std hex, G5	
5	61077	16	Nut, .750-10 jam, G2 thin	
6	61076	16	Screw, .750-10X3.00 std hex, G5	
A	41327	1	Socket - male galv	Option
B	41329	2	Cam & groove - female coupler	Option
C	41325	1	Ball & lock ring - galv	Option
D	41587	2	Cam & groove - male coupler	Option
E	41556B	1	Weldment, pump fitting	Option

**BEARING FRAME ASSEMBLY**



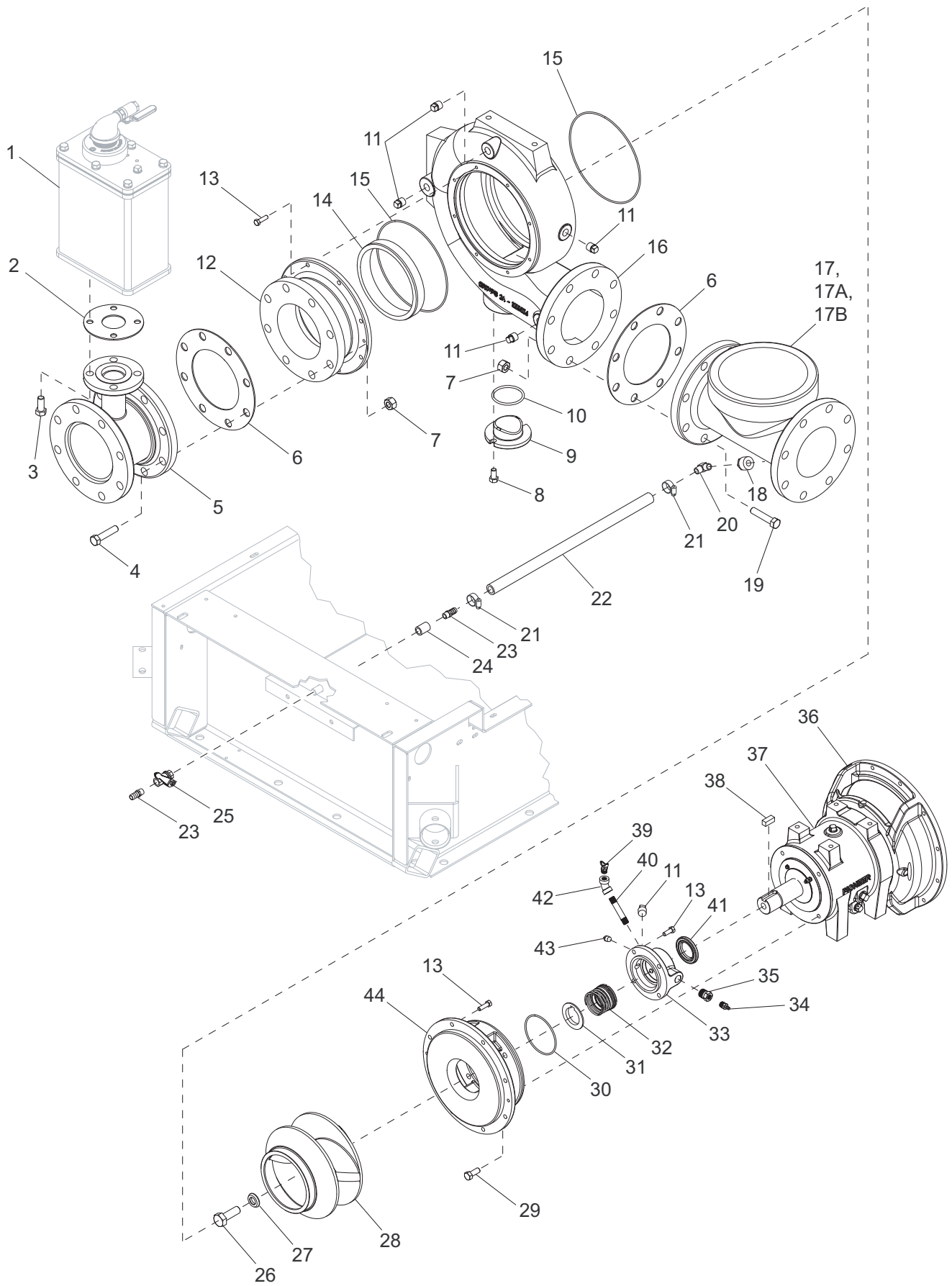
ITEM	PART NO.	QTY	DESCRIPTION	NOTES
1	49601	2	Thrust washer	
2	49591	1	Plug	
3	30798	1	Bearing housing	
4	49658	1	Plug	
5	49588	1	Bearing	
6	30799	1	Shaft	
7	49602	1	Key	
8	49575	3	Plug	
9	30797	1	Ring	
10	49596	4	O-ring	
11	49599	8	Bolt	
12	49604	1	Grease fitting	
13	49598	1	Bell housing	
14	49600	1	Retaining ring	
15	49597	1	O-ring	
16	49589	1	Bearing	
17	30800	1	Plug	
18	41870	1	Plug	
19	49603	1	Plug	
--	49385	1	Assembly, bearing frame	Items 1 - 19

# PRIMING CHAMBER ASSEMBLY



ITEM	PART NO.	QTY	DESCRIPTION	NOTES
1	49643	1	Elbow, 90° - 2 in. x 1/2 in. NPT	
2	49644	1	Nipple 1/2 in. NPT x close	
3	49645	1	Nipple 2.0 in. NPT x close	
4	46946	1	Valve 1/2 in. bronze ball	
5	49647	2	Washer, split lock .25, SS	
6	49648	2	Nut, hvy machine .25-20, SS	
7	49649	1	Valve washer	
8	49650	1	Spring, 2 in. long x 1.46 OD	
9	49651	1	Valve stem, SS	
10	49652	1	O-ring, 2-310 Viton	
11	49653	2	Bolt, soc hd .38-16UNC x 1.5, SS	
12	49654	1	Valve seat	
13	49655	1	O-ring, 2-228 Viton	
14	49656	1	Valve adapter	
15	49561	6	Bolt, .50-13UNC x 1.25, G5	
16	49657	6	Washer, split lock .50 STLPL	
17	49420	1	Gauge, vacuum	
18	19401	1	Fitting, strt - .500MNPTx.250FNPT	
19	49659	1	Lid, priming chamber	
20	49660	1	Gasket, priming chamber lid	
21	49661	1	Bracket, linkage, SS	
22	49662	2	Bolt, .38-16UNC x .63, SS	
23	49663	1	Linkage, upper arm	
24	49664	1	Washer, fender .25x1.25OD, SS	
25	49666	2	Link, upper and lower arm	
26	49665	1	Float ball and arm	
27	49667	5	Clevis pin, .187 dia. x 1.0, SS	
28	49668	5	Cotter pin, .094 dia. x .50, SS	
29	49670	1	Strainer plate	
30	49669	2	Bolt, .31-18UNC x .75	
31	49671	2	Washer, split lock .31, SS	
32	49672	1	Priming chamber	
33	49658	1	NPT pipe plug, square head, 1/2 in	
--	49399	1	Priming chamber assembly	

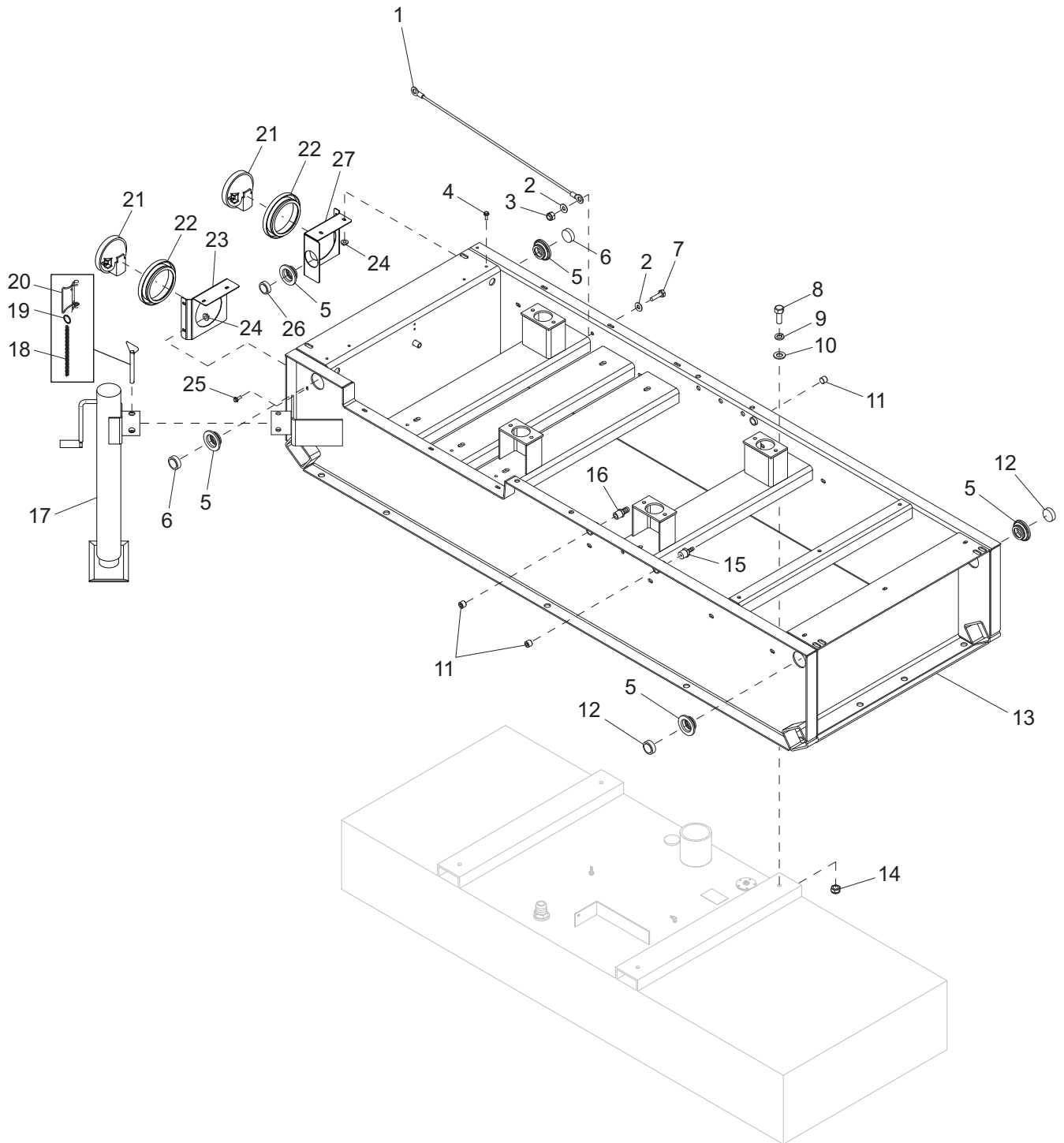
# INTERNAL PUMP ASSEMBLY





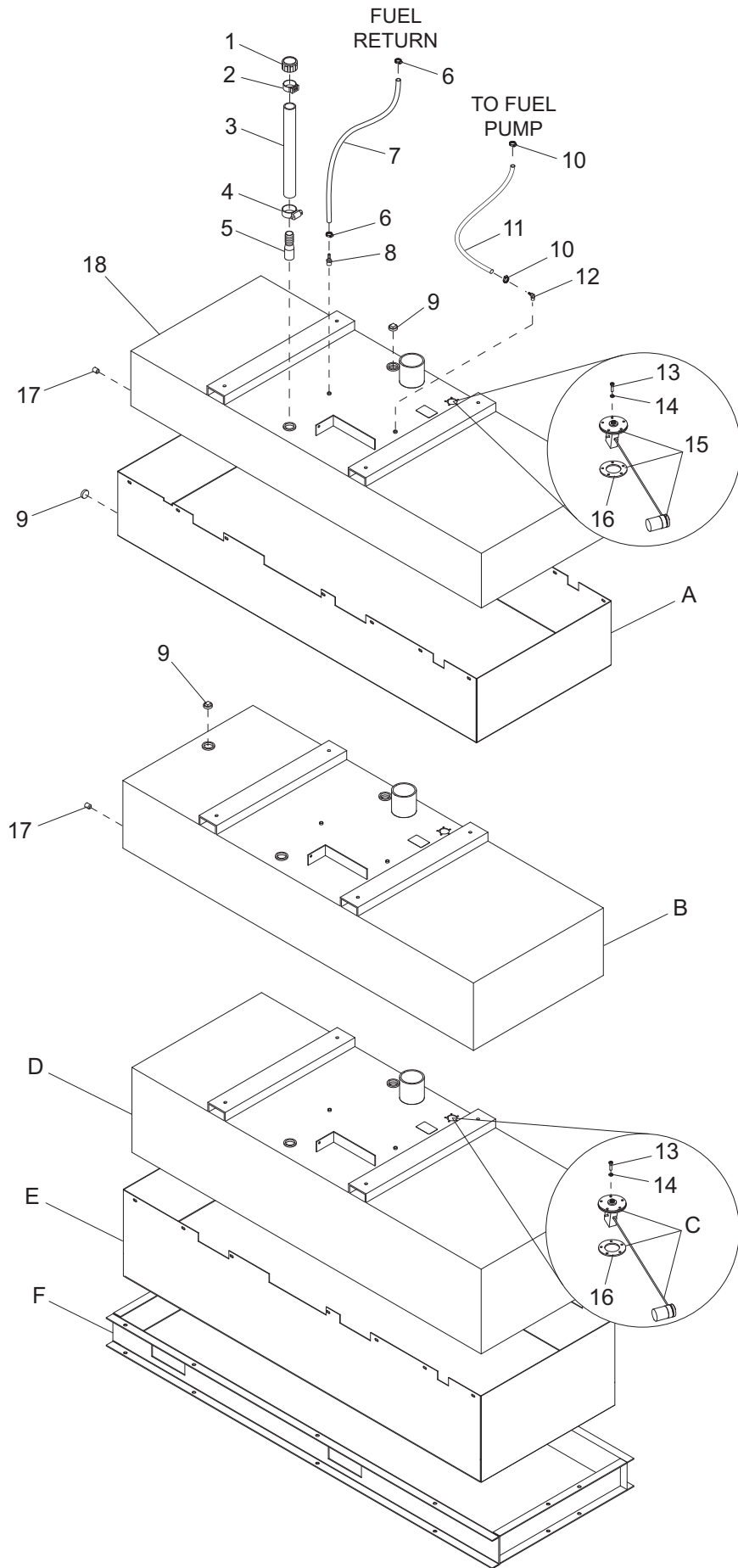
ITEM	PART NO.	QTY	DESCRIPTION	NOTES
1	49837	1	Assembly, priming chamber	<a href="#">Page 46</a>
2	49839	1	Gasket flg, 2 in. 1/8 ff sbr 70d	
3	49840	4	Bolt, .62-11UNCx1.50, G5	
4	30801	8	Bolt .62-11UNCx2.75	
5	49838	1	Spool, 6 in. w/2 in. flange	
6	41061	2	Gasket - 31813102	
7	30802	16	Nut, hvy hex .62-11UNC stl pl	
8	49566	2	Bolt, .50-13UNCx1.00	
9	49407	1	Cover, clean-out	
10	49381	1	O-ring	
11	49658	5	Plug, NPT pipe - square head, 1/2 in	
12	49404	1	Cover, suction	
13	49570	20	Bolt .38-16UNC.x1.00	
14	49403	1	Wear ring - 6 in	
15	43672	2	O-ring, inspect cover 30103273	
16	49405B	1	Volute - 110042628	
17	49409	1	Check valve, 6 in	
17A	49844	1	Flap valve, 6 in	
17B	49853	1	O-ring, 6 in	
18	61043	1	Fitting, strt - 1.0MNPTx.500FNPT	
19	30801	8	Bolt, .62-11UNCx3.00	
20	61014	1	Fitting, 90° - .500MNPTx.625 barb, brs	
21	60365	2	Clamp, hose - SAE 010 (.56-1.06)	
22	50201	1.75 ft	Hose, .625, 200 psi, class A	
23	25931	2	Fitting, strt - .375NPTx.625 barb	
24	63116	1	Fitting, strt - .375FNPTx.375FNPT	
25	19280	1	Valve, ball .375 FNPT	
26	49842	1	Screw, impeller - .75-10UNC 2.25	
27	49400	1	Washer, impeller	
28	49788	1	Impeller	
29	49561	4	Bolt .50-13UNCx1.25, G5	
30	49383	1	O-ring	
31	49382	1	Spring guide	
32	49384	1	Mechanical seal	
33	49387	1	Seal gland	
34	49562	1	Fitting 1/4 MPTx1/4 hose barb	
35	49563	1	Pipe bushing 1/2x1/4	
36	49598	1	Bell housing	
37	49385	1	Bearing housing	
38	30805	1	Key	
39	49579	1	Valve, 1/4 in. petcock	
40	49577	1	Nipple 1/4 in. NPTx3.0	
41	49386	1	Lip seal	
42	49578	1	Elbow, 45° - 1/4 in. NPT	
43	49575	1	Plug, NPT pipe - square head, 1/4 in	
44	49408	1	Brac-plate	
--	49388	--	Impeller shim - .005	As required, not shown
--	49389	--	Impeller shim - .010	As required, not shown
--	49390	--	Impeller shim - .015	As required, not shown

# SKID ASSEMBLY



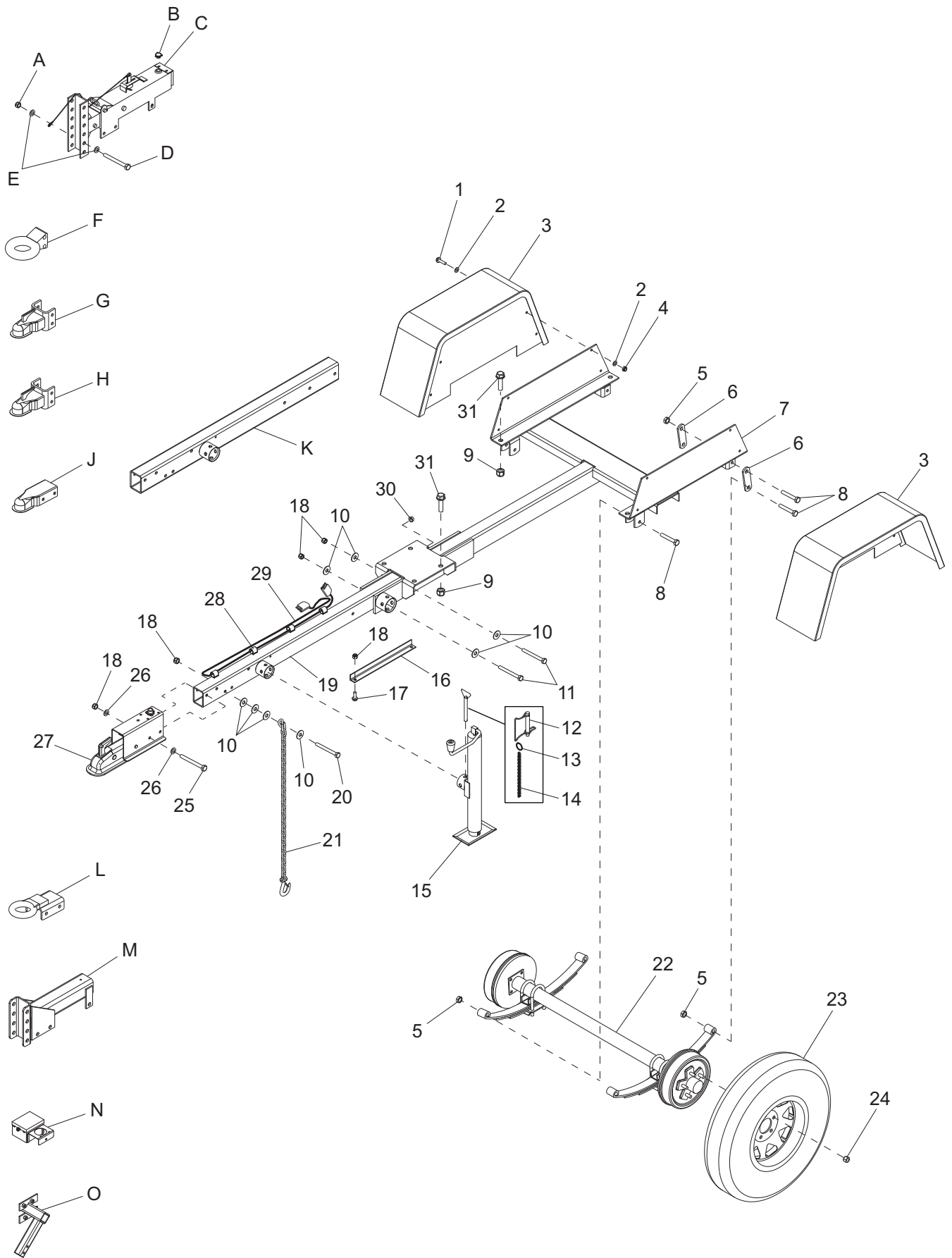
ITEM	PART NO.	QTY	DESCRIPTION	NOTES
1	49898	1	Tether, cable steel .188 dia. x 30.0	
2	60340	2	Washer, .312 flat .875/.040, SS	
3	60285	1	Nut, .312-18 hex, G2	
4	60479	4	Screw, .250-20x1.0 sflg hex	
5	66394	5	Grommet, sealed beam light, 2.0 in	
6	66397	2	Light, clearance - 2.0 in. red	
7	60507	1	Screw, .312-18x1.0 std hex, SS	
8	61101	4	Screw, .500-13x1.50 std hex ,G8	
9	60276	4	Washer, .500 split lock	
10	60309	4	Washer, .500 flat 1.060/.090	
11	18394	3	Fitting, plug - .500NPT x internal hex	
12	66396	2	Light, clearance - 2.0 in. amber	
13	30994B	1	Weldment, skid	
14	62221	4	Nut, .500-13 nylock, G5	
15	60999	1	Fitting, strt - .500MNPTx.312 barb, brs	
16	60502	1	Fitting, strt - .500MNPTx.625 barb, brs	
17	41133	2	Jack, side wind - 2000 lb, tube-mounted	
18	60707	.67 ft	Chain, sash - No. 8, SS	
19	60706	1	Ring, split - 1.00, SS	
20	23256	2	Pin, jack - tube-mounted	
21	10220	2	Light, rear tail/turn, round	
22	10221	2	Grommet, rear light - rubber 4.5 in	
23	29673B	1	Bracket, rear light - right side	
24	60161	8	Nut, .250-20 sflg, G5	
25	60175	4	Screw, .250-20x.500 sflg hex, G5	
26	66395	1	Light, utility - 2.0 in. clear	
27	29674B	1	Bracket, rear light - left side	
--	66701	2	Light, rear tail/turn, round LED	Option: LED light
--	66702	2	Light, clearance - 2.0 in. amber LED	Option: LED light
--	66703	2	Light, clearance - 2.0 in. red LED	Option: LED light
--	66704	1	Light, Utility - 2.0 in. clear LED	Option: LED light

# FUEL TANK ASSEMBLY



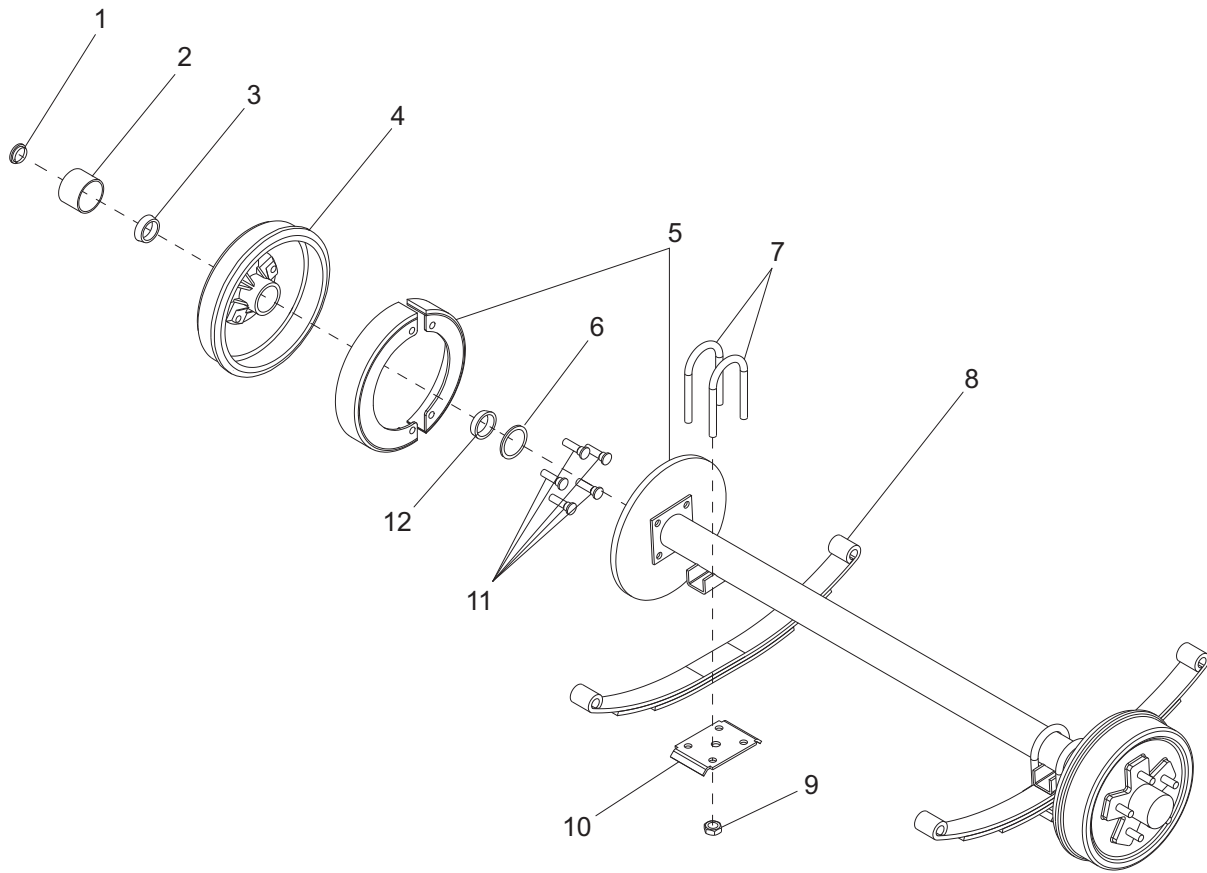
ITEM	PART NO.	QTY	DESCRIPTION	NOTES
1	26379	1	Vent, plastic fuel - 1.00 ID	
2	62040	1	Clamp, hose - 1.50 fuel hose, crimp style	
3	50019	2.83 ft	Hose, fuel - 1.0, SAE 20R3	
4	19338	1	Clamp, hose - SAE 016 (.68-1.50)	
5	21451	1	Fitting, 1.0MNPTx1.0 barb	
6	63192	2	Clamp, crimping band - .464 in	
7	14211	3 ft	Hose, fuel - .188 ID, 50 psi, SAE 30R7	
8	17896	1	Fitting, strt - .250NPTx.188 barb	
9	65636	1	Plug - 1.00 NPT flush mount w/ hex soc	
10	14216	2	Clamp, hose - SAE 004 (.21-.62) mini	
11	50018	2 ft	Hose, fuel - .312 ID 50 psi, SAE 30R7	
12	15693	1	Fitting, 90° - .250NPTx.312 barb, brass	
13	60062	5	Screw, 10-32x.750 pan phil, G2	
14	60252	5	Washer, #10 split lock	
15	20571	1	Sender, fuel - 10-15 in. tank	
16	22323	1	Gasket, fuel sending unit	
17	18394	1	Plug, .500NPTx internal hex	
18	24308B	1	Tank, fuel - 106 gal	
A	26100B	1	Pan, 24 hr. containment	Option: 24 hour run w/cont.
B	26406B	1	Tank, fuel - 78 gal. double wall	Option: 78 gal. double wall tank
C	21206	1	Sender, fuel - 15.5-24 in	Option: 36 hour run
D	26437B	1	Tank, fuel - 160 gal	Option: 160 gal. tank
E	26460B	1	Pan, 36 hr. containment	Option: 36 hour run w/cont.
F	27628B	1	Skid, fork pocket extension	Option: 36 hour

# TRAILER ASSEMBLY



ITEM	PART NO.	QTY	DESCRIPTION	NOTES
1	61036	8	Screw, .375-16x1.250 std hex, SS	
2	60698	16	Washer, .375 flat .875/.040, SS	
3	22743B	2	Fender, single wheel	
4	60358	8	Nut, .375-16 nylock, G5	
5	60504	6	Nut, .562-18 locking hex, G5	
6	19637	4	Plate, shackle bracket	
7	24811B	1	Weldment, trailer chassis	
8	60503	6	Screw, shackle .562-18x3.0 std hex, G5	
9	15293	6	Nut, .750-10 hex, G5	
10	60416	14	Washer, .500 flat 1.375/.090	
11	61104	3	Screw, .500-13x5.50 std hex, G8	
12	23256	1	Pin, jack - tube mounted	
13	60706	1	Ring, split - 1.00, SS	
14	60707	.67 ft	Chain, sash - No. 8, SS	
15	13051	1	Jack assembly, 2000 lb - top wind	Tube mounted
16	24691B	1	Brace, tongue shipping	
17	61103	1	Screw, .500-13x1.750 sflg hex	
18	62221	5	Nut, .500-13 nylock, G5	
19	24812B	1	Weldment, tongue - flip non-adj actuator	
20	60376	2	Screw, .500-13x4.50 std hex, G5	
21	23367	2	Chain, safety	
22	22877	1	Axle, 5000 lb - hydraulic	
	22876	1	Axle, 5000 lb - electric	Option: electric brake
23	18377	2	Wheel, ST225/75R15	
24	60096	12	Nut, .500-20 wheel lug	
25	61099	2	Screw, .500-13x5.0 std hex, G8	
26	60309	4	Washer, .500 flat 1.060/.090	
27	24304	1	Actuator, 2 in. ball, 6000 lb	Hydraulic surge brake
28	15626	6	Clamp, tubing - .375 lt duty	
--	61010	1	Clamp, tubing - .375 hvy duty	Not shown
29	23390	1	Harness, trailer	
30	22340	2	Bushing, 1.0 ODx.750 ID	
31	61078	6	Screw, .625-11x2.0 flg hex, G8	
A	60240	2	Nut, .625-11 nylock	Option: adjustable hitch
B	30248	1	Cap, actuator, sealed	Option: adjustable hitch
C	40529	1	Actuator, hyd surge brk - adj.	Option: adjustable hitch
D	60239	2	Screw, .625-11x5.0 std hex, G5	Option: adjustable hitch
E	60180	4	Washer, .625 flat 1.750/.120	Option: adjustable hitch
F	19335B	1	Coupler, lunette ring - 3 in. adj.	Option: 3 in. ring adj. hitch
G	19519	1	Coupler, 2.31 in. ball	Option: 2.31 in. ball
H	19518	1	Coupler, 2 in. ball for adj. hitch	Option: 2 in. ball adjustable hitch
J	15103	1	Coupler, 2 in. ball/3 in. channel	Option: 2 in. ball hitch
K	11032	1	Weldment, lunette ring - 3 in	Option: 3 in. ring
L	19379B	1	Weldment, hitch elec. - 4 pos adj.	Option: electric brake
M	19417	1	Breakaway kit	Option: electric brake
N	12235B	1	Weldment, spare tire holder	Option: spare tire holder
O	30931	1	Weldment, tongue - w/support plate	Option: adj. actuator/elec brakes

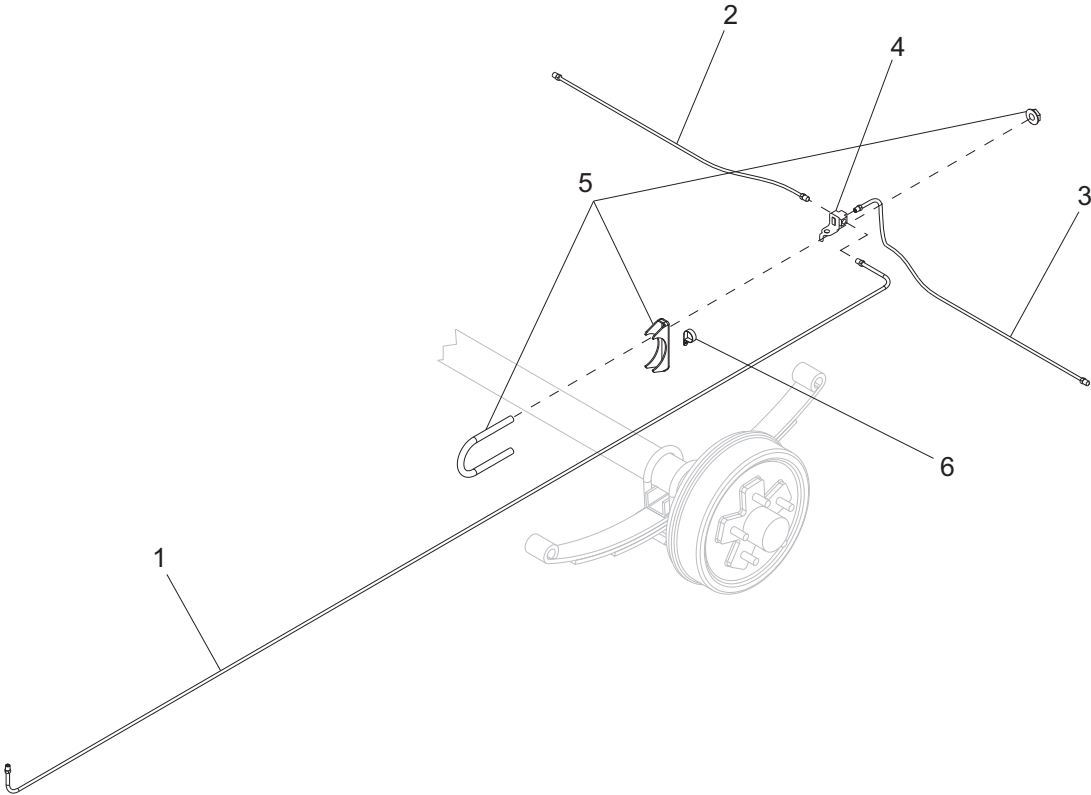
# AXLE ASSEMBLY





ITEM	PART NO.	QTY	DESCRIPTION	NOTES
1	11254	2	Plug, grease cap - for zerk	
2	23170	2	Cap, grease - w/rubber plug	
3	24831	2	Roller bearing - outer	
4	26452	2	Brake drum - 12 in. 6 on 5.5 in	
5	26572	2	Surge brake assy, RH	
	26571	2	Surge brake assy, LH	
	26574	2	Electric brake assy, RH	Option: electric brake
	26573	2	Electric brake assy, LH	Option: electric brake
6	24832	2	Bearing seal axle	
7	40875	4	U-bolt, axle	
8	23912	2	Spring, 5000lb axle	
9	26441	8	U-bolt nut, 1/2-20 plated	
10	40874	2	Tie plate, axle	
11	60963	12	Stud, wheel - axle	
12	24830	2	Roller bearing - inner	

**TRAILER BRAKE LINES - SINGLE AXLE, FLIP TONGUE**



<b>ITEM</b>	<b>PART NO.</b>	<b>QTY</b>	<b>DESCRIPTION</b>	<b>NOTES</b>
1	24688	1	Hose, brake - .188x136.0	Male/male
2	40495	1	Line, brake - .188x20.0	
3	40494	1	Line, brake - .188x30.0	
4	19252	1	Fitting, .188 brake line T - w/bracket	All female
5	61028	1	Clamp, muffler - 2.50 lt duty	U-bolt and saddle
6	61010	1	Clamp, tubing - .375 hvy duty	

## RECOMMENDED SPARE PARTS LIST

### ENGINE

Alternator, engine .....	32743
Belt, compressor.....	31020
Belt, fan - Kubota V3600 .....	32741
Cable, push/pull throttle.....	41165
Cap, fuel fill.....	23707
Cap, radiator.....	19219
Cap, overflow jug.....	19714
Compressor, air .....	49267
Dipstick, Kubota V3600 .....	27472
Element, air filter.....	22874
Filter, fuel .....	32745
Filter, oil .....	32744
Flapper, check valve.....	49844
Gasket, compressor .....	49421
Gasket, thermostat housing - Kubota .....	33253
Gauge, fuel .....	65631
Hose, radiator - lower .....	30494
Hose, radiator - upper.....	30493
Impeller.....	49788
Jug, overflow - 2.5 qt .....	24952
Pump, fuel .....	13278
Sender, fuel (standard tank) .....	20571
Sensor, coolant temp.....	32040
Sensor, low coolant .....	30942
Sensor, oil pressure .....	30242
Solenoid, shutdown .....	32788
Starter, engine - Kubota V3600.....	32742
Thermostat - Kubota V3600.....	28979

### PUMP

Bushing.....	49685
Coupling, flywheel .....	41191
Coupling, rubber driver.....	41192
Lip seal .....	49386
Mechanical seal kit .....	49384

### ELECTRICAL

Block, E-stop contactor.....	65584
Controller, LOFA 750 .....	33705
Relay, 12V/70A.....	66455

### TRAILER

Chain, safety.....	23367
Jack, side wind (rear) .....	41133
Jack, top wind (tongue) .....	13051
Light, clearance - amber.....	66396
Light, clearance - red.....	66397
Light, tail .....	10220







REV: ORG  
PART NO: 32299  
04.30.13